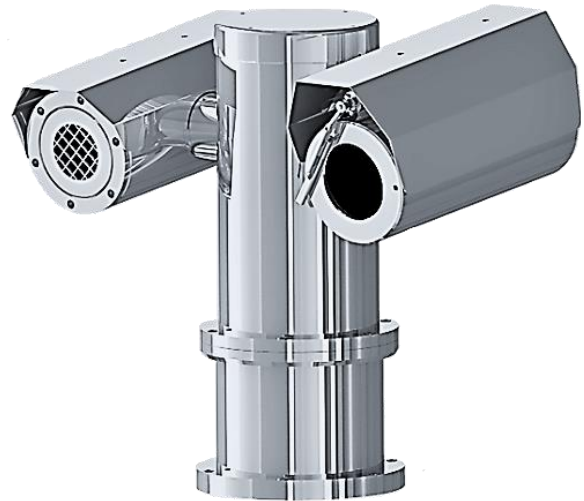


SX1PTZD Series

Explosion Proof Dual PTZ Camera Station



SX1PTZD-LEDW-G



SX1PTZD-W-G

Main Features



Marine grade
AISI316L Stainless
Steel material



Ex II 2 G Ex db op pr IIC T6
Gb / Ex II 2 D Ex tb op pr
IIIC T80°C Db



IP 66 / 68



Vandal-proof IK10
ratings



Fitted with wiper
mechanism



Possible to integrate
with different type of
3rd party camera
module



Options for thermal
camera available



Option for LED
illuminator available

Technical Data

General	
Certification	Ex II 2 G Ex db op pr IIC T6 Gb / Ex II 2 D Ex tb op pr IIIC T80°C Db
Protection Level	IP 66 / 68, TVS 6000V Lightning Protection, Surge Protection and Voltage Transient Protection
Operating Temperature	-40°C to 60°C
Relative Humidity	≤95%
Mechanical	
Body Material	Stainless steel 316L material
Sight Glass Material	Window with hardened mineral clear tempered glass
	Window with Germanium glass (for SX1PTZD-G models)
Pan & Tilt Speed	Variable speed option: 0.1°/s to 45°/s
Pan & Tilt Movement	Pan: 360° continuously Tilt: -90° ~ +90°
Overall Dimension (WxHxD)	<i>Please refer to overall dimension drawings of each model.</i>
Cable Entries	1 x M25
Weight	Approximate 45KG
Electrical	
Operating Voltage	AC110-240V, 50/60Hz
Power Consumption	Max 110W (110V), Max 120W (240V)
Thermostatically Controlled Heater	T°C on: <10°C, T°C off: >10°C
Optional	
LED Illumination	Up to 200 meters (for SX1PTZ-LEDW model)
Built in Fiber Optic Module	Single Mode or Multi Mode (-SM or -MM model, please refer to below ordering info)
Accessories	
Standard	Sunshield for Camera Housing
Optional	Wall Bracket, Sunshield for Pan & Tilt Body, Pole Top Mounting Adapter

IP Camera/Lens

	4K, 22x Zoom, IP	3MP, 33x Zoom, IP	Self-learning Video Analytics Range					
			2MP, 18x Zoom, IP	2MP, IP	4MP (9), IP	4MP (22), IP	6MP, IP	8MP, IP
Sensor	1/1.8"	1/2.8"	1/2.8"				1/1.8"	
Focal Length (mm)	6.4 - 138.5	4.6 - 152.0	4.7 - 84.6	3.3 - 9	3.3 - 9	9 - 22	4.9 - 8	4.9 - 8
Focus	F1.5	F1.6	F1.6	F1.3	F1.3	F1.6	F1.8	
Horizontal Angle of View	3° - 64°	3° - 52°	4.1° - 60°	34° - 99°	34° - 92°	14° - 31°	52° - 92°	52° - 92°
Effective Pixels (HxV)	3864 x 2180	2065 x 1553	1920 x 1080		2560 x 1440		3200 x 1800	3840 x 2160
Day/Night	Automatic removable IR-cut filter		Automatic, Manual					
Illumination Requirement	Color: 0.04Lux B/W: 0.002Lux		Color: 0.039Lux B/W: 0.02Lux	Color: 0.027Lux B/W: 0.014Lux	Color: 0.03Lux B/W: 0.015Lux	Color: 0.058Lux B/W: 0.029Lux	Color: 0.055Lux B/W: 0.028Lux	
Supported Video Analytics Events	Motion Detection, Tampering		Objects in Area, Loitering, Crossing Beam, Object Appears or Enters Area, Object Not Present in Area, Objects Enter Area, Objects Leave Area, Object Stops in Area, Direction Violated, Tamper Detection					

*Analog camera and other camera module options are available upon request.

Thermal Camera/Lens

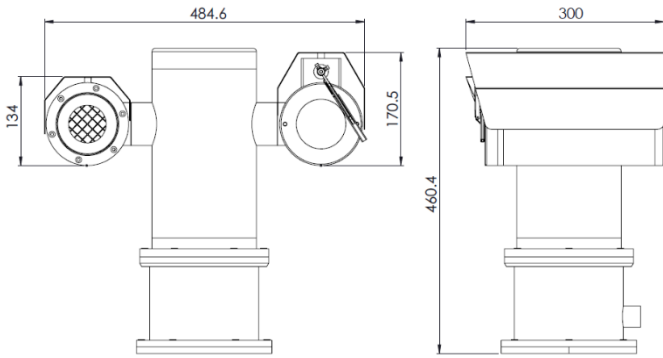
	384	640
Type	Uncooled FPA	
Resolution	384x288	640x480
Pixel pitch	17µm	
NETD	≤80mK@F1, 300K, 50Hz	
Field Frequency	50Hz	
Spectral range	8 - 14 µm	
Lens	Options: 9mm, 13mm, 25mm, 37mm, 42mm	Options: 7.5mm, 9mm, 15mm, 18mm, 30mm, 37mm
Brightness/Gain Adjustment	Yes	
Polarity Inversion	Reverse color	
Digital Zoom	Up to 4x Zoom	
Image Enhancement	Yes	
Calibration	Manually calibrate, Automatically calibrate during power on	
Rolling-over/mirror	On/Off	
Display	Varieties of pseudo color labels (firefighting color, iron hot, red hot, amber, white hot, black hot, etc.)	
Focus	Manual/Auto	
Pan & Tilt Control	Yes	
Storage	Support Micro SD, up to 64G, local storage, NAS (NFS, SMB support) / FTP protocol	
OSD	Time, date, channel number, channel name and custom text, temperature measurement information	

Recording Mode	Mobile Surveillance, Alarm Recording (Gray, highest temperature, areas, alarming cross the lines, etc.), network disconnect recording, timing recorded
Raw Thermal Image Output	25fps, in the back end manually capture the signal frame raw image and data, the raw image can be analyzed and measured temperature
Ethernet	RJ-45 (10/100BASE-T)
Video Compression Format	H.264, Motion JPEG
Resolution	640x480 / 384x288
Max Frame Rate	H.264: 30fps MJPEG: 640x480: 15fps
Video Quality Modulation	H.264: Compression degree, target bite rate degree control
Bit Rate Control Way	H.264: CBR or VBR
IP	IPv4
Protocol	TCP/IP, UDP/IP, RTP(UDP), RTP(TCP), RTCP, RTSP, NTP, HTTP, HTTPS, SSL, DHCP, FTP, ICMP, IGMP, ARP, DNS, DDNS
Safety	HTTPS(SSL) Login Verification, Class Login Verification, IP address filter, user access log, 802.1x ID Verification
Applied Program Interface	ONVIF Profile S
Web Browser	Microsoft Internet Explorer (Version 9~11)
Temperature Detection Range	Normal temperature range: -20°C ~ 180 °C High temperature range: 100°C ~ 600 °C (-H Model, Please specify upon order)
Accuracy	±2°C or ±2%
Mode	Supports 3 movable points, 3 movable areas (highest temperature, lowest temperature, average temperature measurement)
Emissivity Correction	0.01 ~ 1.0 adjustable
Alarm Output	Switch output
Protocol Output	SDK alarm protocol output, ONVIF alarm information output

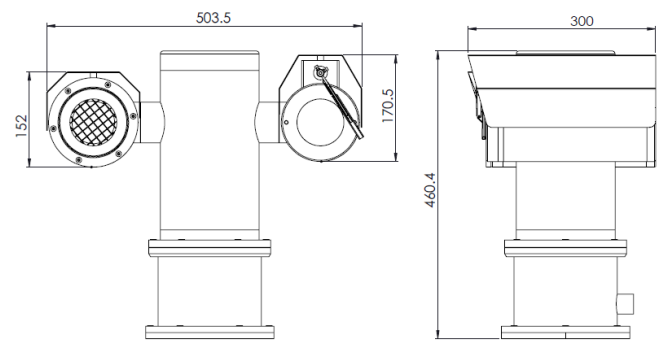
Resolution	Lens (mm)	FOV	Detection (m)	Recognition (m)	
640x480	Fixed				
	9	62.3° x 48.8°	291	146	
	25	24.6° x 18.5°	809	404	
	37	16.7° x 12.6°	1197	599	
	Motorized				
	13	45.4° x 34.8°	421	210	
	25	24.6° x 18.5°	809	404	
	42	14.8° x 11.1°	1359	679	
	384x288	Fixed			
		9	39.9° x 30.4°	291	146
18		20.6° x 15.5°	582	291	
37		10.1° x 7.6°	1197	599	
Motorized					
7.5		47.0° x 36.2°	243	121	
15		24.6° x 18.5°	485	243	
30		12.4° x 9.3°	971	485	

Lens Comparison Table

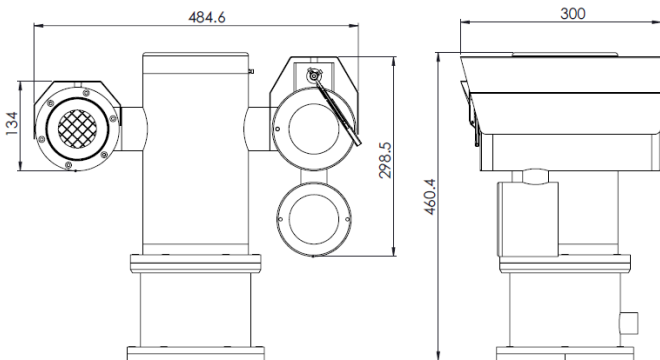
Outline Dimensions (mm)



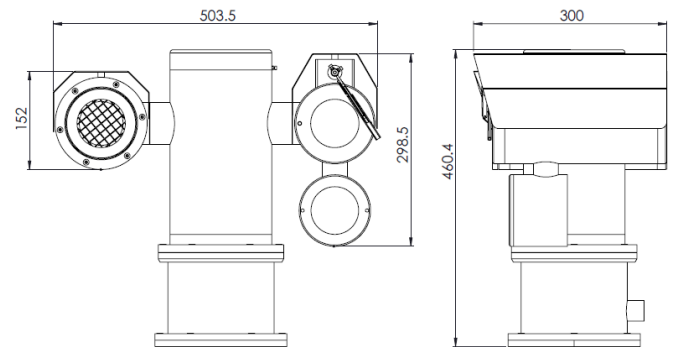
SX1PTZD-W-G Outline Dimensions



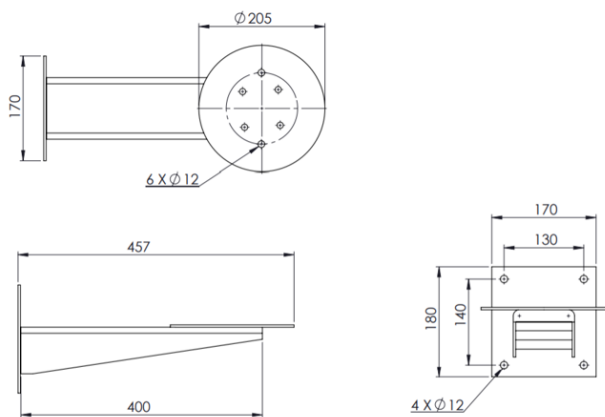
SX1PTZD-W-GL Outline Dimensions



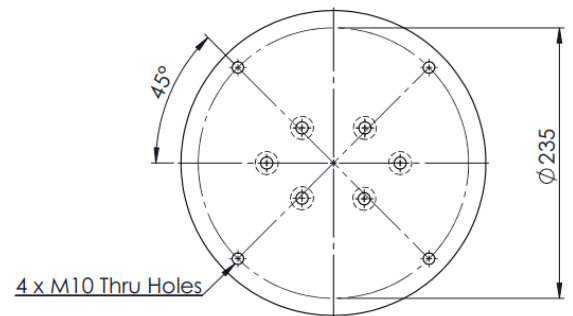
SX1PTZD-LEDW-G Outline Dimensions



SX1PTZD-LEDW-GL Outline Dimensions



WB-SX1PTZ - Wall Bracket Outline Dimensions



PTA-SX1PTZ - Pole Top Mounting Adapter Outline Dimensions

Model & Ordering Code

SX1PTZD - X - X - X - X - X - X - X

Camera Station Options

- W : Fitted with wiper
- LEDW : With LED Illuminator and Wiper

Camera Station Options

- G : With Germanium Window and Front Guard
- GL : Large Diameter (143 mm) with Germanium Window and Front Guard

Camera Module Options

- 22x4K : 4K, 22x Zoom, IP
- 33x3M : 3MP, 33x Zoom, IP
- 18x2M : 2MP, 18x Zoom, IP with Self-learning Video Analytics
- 2M : 2MP, IP with Self-learning Video Analytics
- 4M (9) : 4MP (3.3-9mm), IP with Self-learning Video Analytics
- 4M (22) : 4MP (9-22mm), IP with Self-learning Video Analytics
- 6M : 6MP, IP with Self-learning Video Analytics
- 8M : 8MP, IP with Self-learning Video Analytics

Built-in Fiber Optic Module Options

- SM : Single Mode
- MM : Multi Mode

Detection Mode Options

- Blank : Normal Temperature
- H : High Temperature

Thermal Camera Focal Length Options

- 7.5 : 7.5 mm motorized lens
- 13 : 13 mm motorized lens
- 15 : 15 mm motorized lens
- 25 : 25 mm motorized lens
- 30 : 30 mm motorized lens
- 42 : 42 mm motorized lens
- F9 : 9 mm fixed lens
- F18 : 18 mm fixed lens
- F25 : 25 mm fixed lens
- F37 : 37 mm fixed lens

**Please refer lens comparison table above.*

Thermal Camera Module Options

- 320 : 384x288 resolution
- 640 : 640x480 resolution

Standard Accessories

SCH-SX1PTZD : Sunshield for Camera Housing

Optional Accessories

- WB-SX1PTZ : Wall Bracket
- SPT-SX1PTZD : Sunshield for Pan & Tilt Body
- PTA-SX1PTZ : Pole Top Mounting Adapter