

SS1PTZ Series

Stainless Steel Weatherproof PTZ Air-Cooled Camera Station



SS1PTZ-AC



SS1PTZ-AC-LED

Main Features



Marine grade
AISI316L Stainless
Steel material



IP 66 / 67



Vandal-proof IK10
ratings



Option for LED
illuminator available



Operating
Temperature -40°C to
100°C



Possible to integrate
with different type of
3rd party camera
module



Options for thermal
camera available

Technical Data

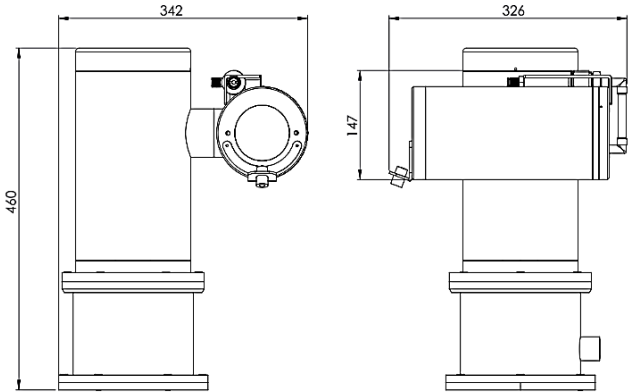
General	
Ingress Protection	IP66 / 67
Operating Temperature	-40°C to 100°C <i>(require appropriate pressure & temperature of incoming compressed air)</i>
Mechanical	
Body Material	Stainless steel 316L material
Sight Glass Material	Borosilicate Front Window with Thickness 5 mm
Pan & Tilt Speed	Variable speed option: 0.1°/s to 45°/s
Pan & Tilt Movement	Pan: 360° continuously or mechanical limit Tilt: -90° ~ +90°
Overall Dimension (WxHxD)	<i>Please refer to overall dimension drawings of each model.</i>
Internal Usable Size for Camera Module	Ø105 x 200 mm
Cable Entries	1 x M25 <i>(additional cable entry upon request)</i>
Weight	Approximate 31KG
Electrical	
Operating Voltage	AC110-240V, 50/60Hz
Power Consumption	Max 110W (110V), Max 120W (240V)
Thermostatically Controlled Heater	T°C on: <10°C, T°C off: >10°C
Optional	
LED Illumination	Up to 150 meters (for SS1PTZ-AC-LED model)
Accessories	
Optional	Wall Bracket, Sunshield for Pan & Tilt Body, Pole Top Mount Adapter, Air Filter Regulator

IP Camera/Lens

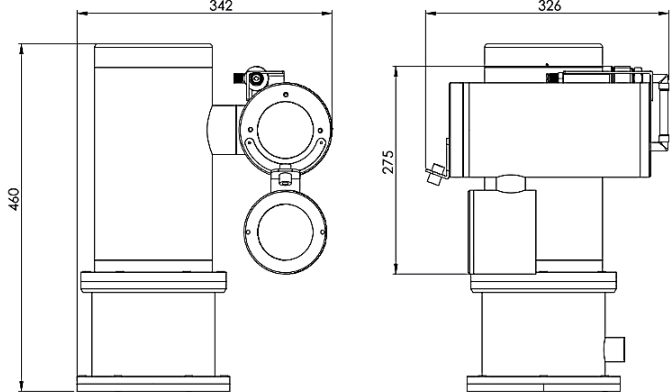
	4K, 22x Zoom, IP	3MP, 33x Zoom, IP	5MP, 4x Zoom, IP	8MP, 4x Zoom, IP	Self-learning Video Analytics Range					
					2MP, 18x Zoom, IP	2MP, IP	4MP (9), IP	4MP (22), IP	6MP, IP	8MP, IP
Sensor	1/1.8"	1/2.8"	1/2.8"	1/2.8"	1/2.8"				1/1.8"	
Focal Length (mm)	6.4 - 138.5	4.6 - 152.0	2.7 - 13.5	2.7 - 13.5	4.7 - 84.6	3.3 - 9	3.3 - 9	9 - 22	4.9 - 8	4.9 - 8
Focus	F1.5	F1.6	F1.6	F1.6	F1.6	F1.3	F1.3	F1.6	F1.8	
Horizontal Angle of View	3° - 64°	3° - 52°	103.4° - 23.8°	102.7°~29°	4.1° - 60°	34° - 99°	34° - 92°	14° - 31°	52° - 92°	52° - 92°
Effective Pixels (HxV)	3864 x 2180	2065 x 1553	2592 x 1944	3840x2160	1920 x 1080		2560 x 1440		3200 x 1800	3840 x 2160
Day/Night	Automatic removable IR-cut filter		Dual IR Cut Filter with Auto Switch	Dual IR Cut Filter with Auto Switch	Automatic, Manual					
Illumination Requirement	Color: 0.04Lux B/W: 0.002Lux		Color: 0.001Lux B/W: 0Lux with IR	Color: 0.01Lux@ (F1.6, ACG ON), B/W: 0Lux with IR	Color: 0.039Lux B/W: 0.02Lux	Color: 0.027Lux B/W: 0.014Lux	Color: 0.03Lux B/W: 0.015Lux	Color: 0.058Lux B/W: 0.029Lux	Color: 0.055Lux B/W: 0.028Lux	
Supported Video Analytics Events	Motion Detection, Tampering		Tripwire, Double Tripwire, Perimeter, Object Abandon, Object Lost, Loitering, Running, Parking, Crowded, People Counting, On Duty Detection, Video Abnormal, Audio Abnormal, Heatmap, Face Capture (Face Detection), Safety Helmet Detection, Human/Vehicle Classification		Objects in Area, Loitering, Crossing Beam, Object Appears or Enters Area, Object Not Present in Area, Objects Enter Area, Objects Leave Area, Object Stops in Area, Direction Violated, Tamper Detection					

*Analog camera and other camera module options are available upon request.

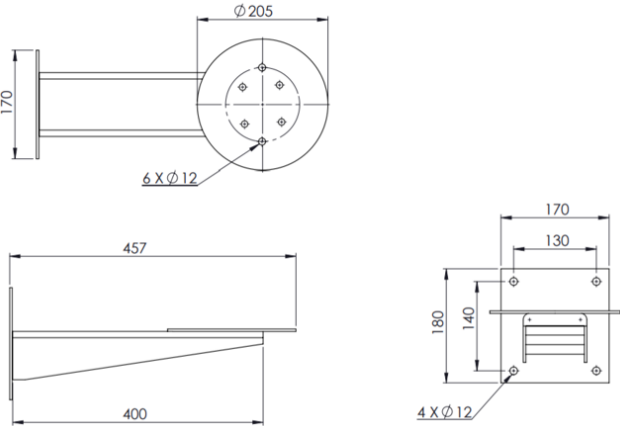
Outline Dimensions (mm)



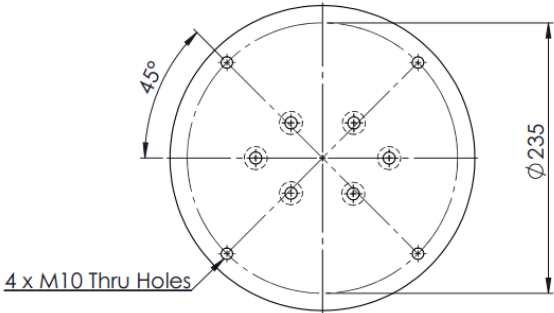
SS1PTZ-AC Outline Dimensions



SS1PTZ-AC-LED Outline Dimensions



WB-SS1PTZ - Wall Bracket Outline Dimensions



PTA-SS1PTZ - Pole Top Mounting Adapter Outline Dimensions

Model & Ordering Code

SS1PTZ - AC - X - X

Camera Module Options

- 22x4K : 4K, 22x Zoom, IP
- 33x3M : 3MP, 33x Zoom, IP
- 4X5M : 5MP, 4x Zoom, IP
- 4X8M : 8MP, 4x Zoom, IP
- 18x2M : 2MP, 18x Zoom, IP with Self-learning Video Analytics
- 2M : 2MP, IP with Self-learning Video Analytics
- 4M (9) : 4MP (3.3-9mm), IP with Self-learning Video Analytics
- 4M (22) : 4MP (9-22mm), IP with Self-learning Video Analytics
- 6M : 6MP, IP with Self-learning Video Analytics
- 8M : 8MP, IP with Self-learning Video Analytics

Camera Station Options

- Blank : Standard Air-Cooled PTZ Camera Housing
- LED : With LED Illuminator

Optional Accessories

- WB-SS1PTZ : Wall Bracket
- SPT-SS1PTZ : Sunshield for Pan & Tilt Body
- PTA-SS1PTZ : Pole Top Mounting Adapter
- AFR : Air Filter Regulator