

SX1PTZ-AVI Series

Explosion Proof PTZ Camera Station
Integrated with Avigilon Camera Module



SX1PTZ-W



SX1PTZ-LEDW

Main Features



Marine grade
AISI316L Stainless
Steel material



Ex II 2 G Ex db op pr
IIC T6 Gb / Ex II 2 D Ex
tb op pr IIC T80°C Db



IP 66 / 68



Vandal-proof IK10
ratings



Option for IEEE
802.3bt PoE++
(90Watt)



Next-Generation
Video Analytics



Multiple lens options
available



Option for LED
illuminator available

Technical Data

| General | |
|--|---|
| Certification | Ex II 2 G Ex db op pr IIC T6 Gb / Ex II 2 D Ex tb op pr IIIC T80°C Db |
| Protection Level | IP 66 / 68, TVS 6000V Lightning Protection, Surge Protection and Voltage Transient Protection |
| Operating Temperature | -40°C to 60°C |
| Relative Humidity | ≤95% |
| Mechanical | |
| Body Material | Stainless steel 316L material |
| Sight Glass Material | Window with hardened mineral clear tempered glass |
| | Window with Germanium glass (for SX1PTZ-G and SX1PTZ-GL model) |
| Pan & Tilt Speed | Variable speed option: 0.1°/s to 45°/s |
| Pan & Tilt Movement | Pan: 360° continuously Tilt: -90° ~ +90° |
| Overall Dimension (WxHxD) | <i>Please refer to overall dimension drawings of each model.</i> |
| Internal Usable Size for Camera Module | Ø80 x 213 mm |
| Cable Entries | 1 x M25 (optional additional cable entry upon request) |
| Weight | Approximate 38KG |
| Electrical | |
| Operating Voltage | AC110-240V (0.5A - 1.10A), 50/60Hz Optional: IEEE 802.3bt PoE++(90W) |
| Power Consumption | Max 110W (110V), Max 120W (240V) |
| Thermostatically Controlled Heater | T°C on: <10°C, T°C off: >10°C |
| Optional | |
| LED Illumination | Up to 200 meters (for SX1PTZ-LEDW model) |
| Built in Fiber Optic Module | Single Mode or Multi Mode (-SM or -MM model, please refer to below ordering info) |
| Accessories | |
| Standard | Sunshield for Camera Housing |
| Optional | Wall Bracket, Sunshield for Pan & Tilt Body, Pole Top Mounting Adapter |

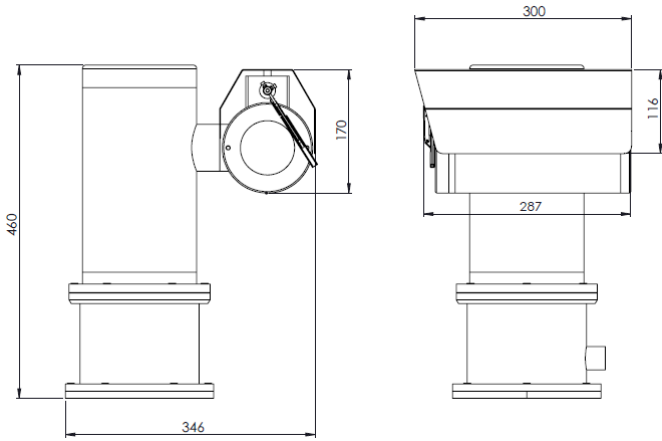
IP Camera/Lens

| | Self-learning Video Analytics Range | | | | | |
|----------------------------------|--|----------------------------------|---|-------------------------------------|---|--------------------|
| | 2MP, 18x Zoom | 2MP | 4MP (9) | 4MP (22) | 6MP | 8MP [4K] |
| Sensor | 1/2.8" | | | | 1/1.8" | |
| Focal Length (mm) | 4.7 - 84.6 | 3.3 - 9 | 3.3 - 9 | 9 - 22 | 4.9 - 8 | 4.9 - 8 |
| Focus | F1.6 | F1.3 | F1.3 | F1.6 | F1.8 | |
| Effective Pixels (HxV) | (16:9) 1920 x 1080 | | (16:9) 2560 x 1440 (4:3) 2304 x 1728 | | (16:9) 3200 x 1800 (3:2) 3027 x 2048 | (16:9) 3840 x 2160 |
| Horizontal Angle of View | (16:9) 4.1° - 60° | (16:9) 34° - 99° | (16:9) (4:3) 34° - 92° | (16:9) 14° - 31° (4:3) 11° - 24° | (16:9) 52° - 92° (3:2) 41° - 73° | (16:9) 52° - 92° |
| Max Image Rate | (50 Hz/60 Hz): 25 fps/30 fps | | WDR off (50 Hz/60 Hz): 25 fps/30 fps WDR on (50 Hz/60 Hz): 20 fps/20 fps | | (50 Hz/60 Hz): 25 fps/30 fps | |
| Day/Night Control | Automatic, Manual | | | | | |
| Illumination Requirement | Color: 0.039Lux B/W: 0.02Lux | Color: 0.027Lux B/W: 0.014Lux | Color: 0.03Lux B/W: 0.015Lux | Color: 0.058Lux B/W: 0.029Lux | Color: 0.055Lux B/W: 0.028Lux | |
| Image Compression Method | H.264 HDSM SmartCodec, H.265 HDSM SmartCodec, Motion JPEG | | | | | |
| Protocols | IPv6, IPv4, HTTP, HTTPS, SOAP, DNS, NTP, RTSP, RTCP, RTP, TCP, UDP, IGMP, ICMP, DHCP, Zeroconf, ARP | | | | | |
| Supported Video Analytics Events | Objects in Area, Loitering, Crossing Beam, Object Appears or Enters Area, Object Not Present in Area, Objects Enter Area, Objects Leave Area, Object Stops in Area, Direction Violated, Tamper Detection | | | | | |

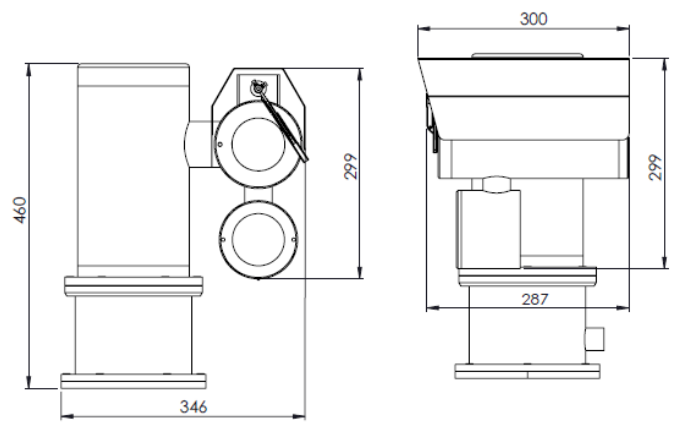
*Analog camera and other camera module options are available upon request.

*Thermal camera options are available for G model. Please contact us for the details

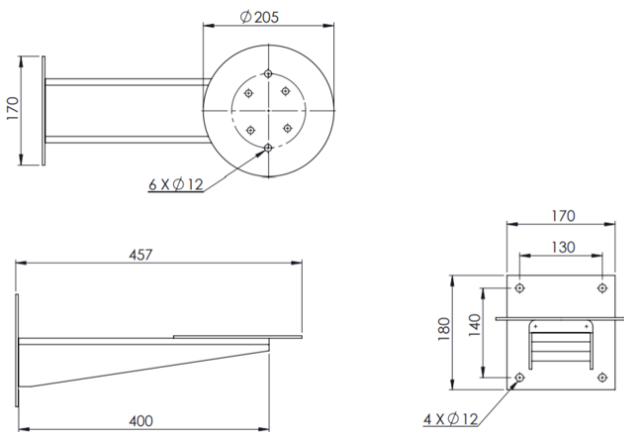
Outline Dimensions (mm)



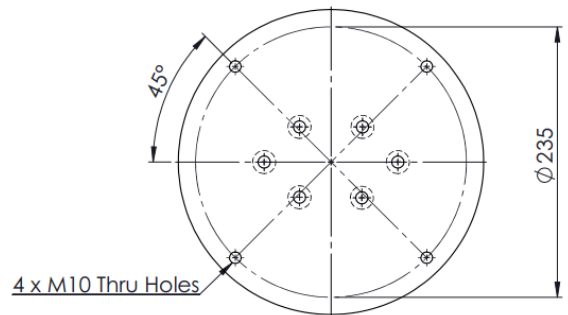
SX1PTZ-W Outline Dimensions



SX1PTZ-LEDW Outline Dimensions



WB-SX1PTZ - Wall Bracket Outline Dimensions



PTA-SX1PTZ - Pole Top Mounting Adapter Outline Dimensions

Model & Ordering Code

SX1PTZ - X - AVI - X - X - X

POE Options

Blank : No additional option
POE : POE++

Built-in Fiber Optic Module Options

SM : Single Mode
MM : Multi Mode

Camera Module Options

18x2M : 2MP, 18x Zoom, IP with Self-learning Video Analytics
2M : 2MP, IP with Self-learning Video Analytics
4M (9) : 4MP (3.3-9mm), IP with Self-learning Video Analytics
4M (22) : 4MP (9-22mm), IP with Self-learning Video Analytics
6M : 6MP, IP with Self-learning Video Analytics
8M : 8MP, IP with Self-learning Video Analytics

Camera Station Options

W : Fitted with wiper mechanism
LEDW : With LED Illuminator and Wiper

Standard Accessories

SCH-SX1PTZ : Sunshield for Camera Housing

Optional Accessories

WB-SX1PTZ : Wall Bracket
SPT-SX1PTZ : Sunshield for Pan & Tilt Body
PTA-SX1PTZ : Pole Top Mounting Adapter