

SS1CH-G Series

Stainless Steel Weatherproof Fixed Thermal Camera Housing



SS1CH-G

Main Features



Marine grade
AISI316L Stainless
Steel material



IP 66 / 68



Vandal-proof IK10
ratings



Operating
Temperature -40°C to
60°C



Options for thermal
camera available

Technical Data

General	
Ingress Protection	IP 66 / 68
Operating Temperature	-40°C to 60°C
Relative Humidity	≤95%
Mechanical	
Body Material	AISI316L Stainless Steel
Sight Glass Material	Window with Germanium glass
Overall Dimension (WxHxD)	<i>Please refer to overall dimension drawings of each model.</i>
Internal Usable Size for Camera Module	Ø105 x 250 mm
Cable Entry	2 x M25
Weight	Approximate 25KG
Electrical	
Operating Voltage	AC110 - 240V (0.5A - 1.10A), 50/60Hz
Power Consumption	Max 110W (110V), Max 120W (240V)
Thermostatically Controlled Heater	T°C on: <10°C, T°C off: >10°C
Accessories	
Standard	Sunshield, Swivel Joints
Optional	Wall Bracket

Thermal Camera/Lens

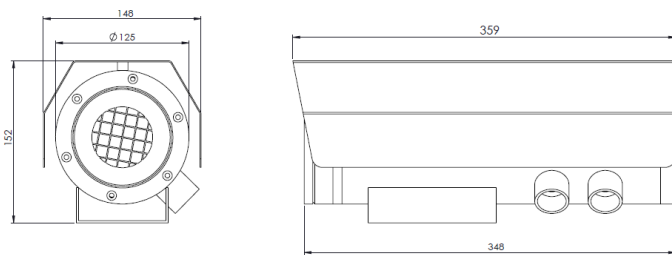
	384	640
Type	Uncooled FPA	
Resolution	384x288	640x480
Pixel pitch	17µm	
NETD	≤80mK@F1, 300K, 50Hz	
Field Frequency	50Hz	
Spectral range	8 - 14 µm	
Lens	Options: 9mm, 13mm, 25mm, 37mm, 42mm	Options: 7.5mm, 9mm, 15mm, 18mm, 30mm, 37mm
Brightness/Gain Adjustment	Yes	
Polarity Inversion	Reverse color	
Digital Zoom	1X/2X/3X/4X	

Image Enhancement	Yes
Calibration	Manually calibrate, automatically calibrate when powers on calibrate punctually when normally works
Rolling-over/mirror	On/Off
Display	Varieties of pseudo color labels (firefighting color, iron hot, red hot, amber, white hot, black hot, etc.)
Focus	Manually/Automatically
Pan & Tilt Control	Yes
Storage	Support Micro SD, up to 64G, local storage, NAS (NFS, SMB support) / FTP protocol
OSD	Time, date, channel number, channel name and custom text, temperature measurement information
Recording Models	Mobile Surveillance, Alarm Recording (Gray, highest temperature, areas, alarming cross the lines, etc.), network disconnect recording, timing recorded
Raw Thermal Image Output	25 frame/second, in the back end manually capture the signal frame raw image and data, the raw image can be analyzed and measured temperature
Ethernet	RJ-45 (10/100BASE-T)
Video Compression Format	H.264, Motion JPEG
Resolution	640x480 / 384x288
Max Frame Rate	H.264 : max 30fps at all the frame rates Motion JPEG : 640x480 : max 15fps
Video Quality Modulation	H.264 : Compression degree, target bite rate degree control
Bit Rate Control Way	H.264 : CBR or VBR
IP	IPv4
Protocol	TCP/IP, UDP/IP, RTP(UDP), RTP(TCP), RTCP, RTSP, NTP, HTTP, HTTPS, SSL, DHCP, FTP, ICMP, IGMP, ARP, DNS, DDNS
Safety	HTTPS(SSL) Login Verification, Class Login Verification, IP address filter, user access log, 802.1x ID Verification
Memorizer	Micro SD- Download the moving recorded image from SD card NAS- support to record to NAS (NETWORK Association Storage)
Applied Program Interface	OnVif Profile S
Web Reviewer	Supported Browser: Microsoft Internet Explorer (Version 9~11)
Temperature measurement range	-20°C to 180°C
Accuracy	±2°C or ±2%
Mode	Supports 3 movable points, 3 movable areas (highest temperature, lowest temperature, average temperature measurement), 3 movable points
Emissivity Correction	0.01 to 1.0 adjustable
Alarm Output	Switch output
Protocol Output	SDK alarm protocol output, ONVIF alarm information output

Resolution	Lens (mm)	FOV
640×480	Fixed	
	9	62.3° x 48.8°
	25	24.6° x 18.5°
	37	16.7° x 12.6°
	Motorized	
	13	45.4° x 34.8°
	25	24.6° x 18.5°
384×288	Fixed	
	9	39.9° x 30.4°
	18	20.6° x 15.5°
	37	10.1° x 7.6°
	Motorized	
	7.5	47.0° x 36.2°
	15	24.6° x 18.5°
	30	12.4° x 9.3°

Fixed Lens Comparison Table

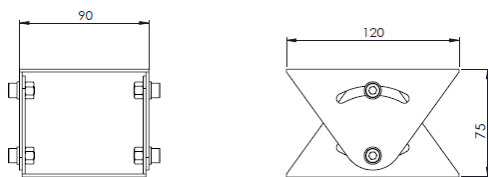
Outline Dimensions (mm)



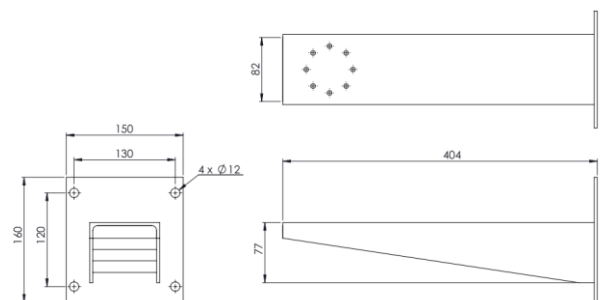
SS1CH-G Outline Dimensions



SS1CH-GL Outline Dimensions

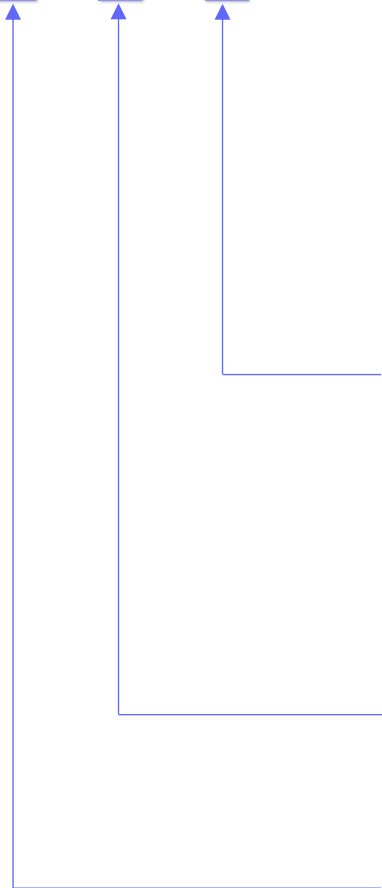


SJ-SS1CH - Swivel Joints Outline Dimensions



WB-SS1CH - Wall Bracket Outline Dimensions

SS1CH - X - X - X



Thermal Camera Focal Length Options

7.5	: 7.5 mm motorized lens
13	: 13 mm motorized lens
15	: 15 mm motorized lens
25	: 25 mm motorized lens
30	: 30 mm motorized lens
42	: 42 mm motorized lens
9	: 9 mm fixed lens
18	: 18 mm fixed lens
25	: 25 mm fixed lens
37	: 37 mm fixed lens

**Please refer fixed lens comparison table above.*

Thermal Camera Module Options

384	: 384x288 resolution
640	: 640x480 resolution

Camera Station Options

G	: With Germanium Window and Front Guard
GL	: Large Diameter (143 mm) with Germanium Window and Front Guard

Standard Accessories

SCH-SS1CH	: Sunshield for Camera Housing (for SS1 series without LED illuminator)
SJ-SS1CH	: Swivel Joints

Optional Accessories

WB-SS1CH	: Wall Bracket
----------	----------------