

## AP2Y01

2MP 33X Starlight IR PTZ Camera



### Main Features

---



Starlight Ultra Low  
Light 0.001lux



33x Optical Zoom



IR Range: 200m



High Efficiency Video  
Coding



IP 67



Operating  
Temperature -40°C to  
70°C



Lightning/Surge  
Protection



Advanced VCA -  
Detection and  
classification of  
specific target types  
(people or vehicle)

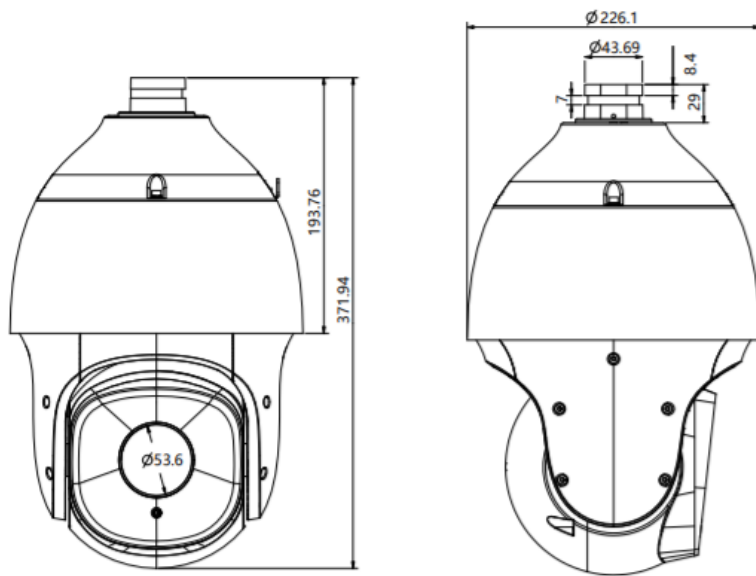
## Specifications

| Camera                   |  |
|--------------------------|--|
| Image Sensor             | 1/2.8" CMOS  |
| Signal System            | PAL/NTSC   |
| Min. Illumination        | Color: 0.001lux@ (F1.6, ACG ON)  |
|                          | B/W: 0 Lux with IR   |
| BLC/HLC                  | Yes  |
| Smart Defog              |  |
| WDR                      | 140 dB   |
| Shutter Time             | 1s ~ 1/100000s   |
| Day& Night               | Dual IR Cut Filter   |
| Optical Zoom             | 33x  |
| Digital Zoom             | 16x  |
| Privacy Mask             | Yes  |
| OSD                      | 16×16, 24×24,32×32, 48×48, 64×64, 96×96, adaptable size, Letters Such as Week, Date, Time, Total 5 Regions                                       |
| Image                    |  |
| Max. Image Resolution    | 1920x1080  |
| Mainstream               | PAL: 25fps (1920×1080, 1280×960, 1280×720, 704×576, 640×480)   |
|                          | NTSC: 30fps (1920×1080, 1280×960, 1280×720, 704×576, 640×480)  |
| Substream                | PAL: 25fps (704×576, 704×288, 640×360, 352×288)  |
|                          | NTSC: 30fps (704×480, 704×240, 640×360, 352×240)   |
| 3rd Stream               | PAL: 25fps (1920×1080, 1280×960, 1280×720, 704×576, 640×480, 704×288, 352×288)   |
|                          | NTSC: 30fps (1920×1080, 1280×960, 1280×720, 704×480, 640×480, 704×240, 352×240)  |
| Image Compression        | S+265/H.265/H.264/MJPEG  |
| ROI                      | 7 Dynamic Areas for Both Main and Sub Stream, support auto-tracking ROI  |
| Audio Compression        | G.711A/G.711U/ADPCM_D/AAC_LC   |
| Lens                     |  |
| Focal Length             | 4.6 ~ 152mm, 33 x zoom   |
| Zoom Speed               | <4s  |
| Horizontal Angle of View | Horizontal: 60.0° (wide) ~ 2.3° (tele)      Vertical: 34.4° (wide) ~ 1.5° (tele)   |
| Aperture Range           | F1.6~F4.3  |
| Infrared                 |  |
| IR Range                 | Up to 200m   |
| IR Irradiation Angle     | Adjustable by Zoom   |
| IR LEDs                  | 10pcs  |
| Network                  |  |
| Protocols                | TCP/IP, ICMP, HTTP, HTTPS, FTP, DHCP, DNS, DDNS, RTSP, PPPoE, NTP, UPnP, SMTP, IGMP, QoS, IPV4, IPV6, MULTICAST, RTMP, NFS, SMB/CIFS, SFTP, SRTP |
| System Compatibility     | ONVIF (Profile S/T/G/M), SDK, CGI, P2P   |
| ANR                      | Auto store video in SD card when NVR disconnected, and upload the video to NVR when resumed connection (Only Support Ventionex ANR NVR)          |
| Remote Connection        | ≤7   |

| Pan & Tilt               |   |
|--------------------------|---|
| Pan Range                | 360°  |
| Pan Speed                | Manual Speed: 0.1° ~ 180°/s      Preset Speed: 240°/s   |
| Preset Accuracy          | ±0.4°   |
| Tilt Range               | -16° ~ 90° (Auto Flip)  |
| Tilt Speed               | Manual Speed: 0.1° ~ 120°/s      Preset Speed: 120°/s   |
| 3D Position              | Yes   |
| Number of Preset         | 500   |
| Scan                     | 8   |
| Cruise                   | 16, up to 32 Presets per Cruise   |
| Pattern                  | 8, Each One with 600s Memory or 1000 Sequences  |
| Power-off Memory         | Yes   |
| Interface                |   |
| Ethernet                 | 1-ch RJ45 10M / 100M self-adaptive Ethernet port  |
| Audio Input / Output     | 1-ch / 1-ch   |
| Alarm Input / Output     | 8-ch / 2-ch   |
| On-board Storage         | MicroSD Card Slot, up to 512GB  |
| Reset Button             | Yes   |
| Advanced                 |   |
| Advanced Video Analytics | Tripwire, Double Tripwire, Perimeter, Running, Heatmap, Loitering, Object Abandoned, Missing Object, Parking, Heatmap, Video Abnormal, Crowd, Demographics, Face Capture, Safety Helmet Detection and On Duty Detection.<br><br>*Support detection and classification of specific target types (people or vehicle) to remove false alarm caused by animals, leaves etc. |
| Auto-Tracking            | Yes   |
| Alarm Trigger            | Harsh Voice Alarm, Motion Detection, Mask Alarm, Port Alarm, Network Disable Alarm, IP Conflict, MAC Conflict Detection   |
| Face Detection           |   |
| Performance              | Detects up to 16 faces at the same scene  |
| Min. Face Pixel          | Default 80, 19~1920 optional  |
| Precautionary Alert      | 3 level   |
| General                  |   |
| Language                 | English, Simple Chinese, Traditional Chinese, Spanish, Korean, Italian, Turkish, Russian, Thai, French, Polish, Dutch, Hebraism, Arabic, Vietnamese   |
| Operating Temperature    | -40°C~70°C (IR OFF), -40°C~40°C (IR ON),  |
| Relative Humidity        | 0 - 95%   |
| Operating Voltage        | DC12V±10%/POE+  |
| Power Consumption        | 14W(IR OFF), 24W(IR ON)   |
| Circuit Protection       | Lightning protection, surge protection, and voltage transient protection (EN 55035:2017)  |
| Ingress Protection       | IP66  |
| Dimensions               | Ø222 x 372 mm   |
| Weight                   | 5.3KG   |
| Accessories (Standard)   |   |
| WBAPY                    | Wall mount bracket  |

| Accessories (Optional) |                       |
|------------------------|-----------------------|
| PMAPY                  | Pendant mount bracket |
| JBADPY                 | PTZ Junction Box      |
| CMAPY                  | Outer Corner bracket  |
| PMADPY                 | Pole Mount Bracket    |

## Outline Dimensions (mm)



AP2Y01 Outline Dimensions