

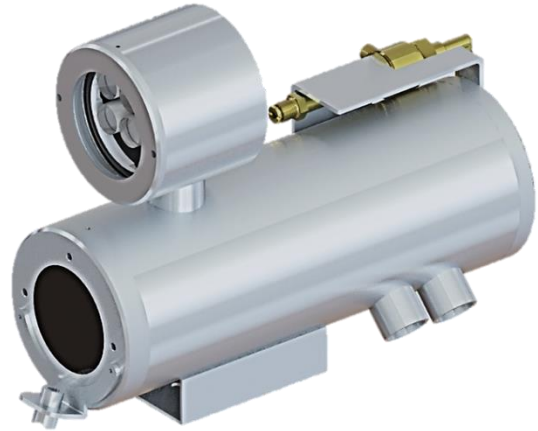
SS1CH-AC-33x3M Series

Stainless Steel Weatherproof Fixed Air-Cooled Camera Housing

Integrated with 3MP 33x Optical Zoom Ventionex VX1 Sony Sensor Camera Module



SS1CH-AC



SS1CH-AC-LED

Main Features



Marine grade
AISI316L Stainless
Steel material



Operating
Temperature -40°C to
100°C



IP 66 / 67



Vandal-proof IK10
ratings



3MP Resolution
33x optical zoom lens



Motorized 4.6-
152mm



Options for LED
illuminator available

Technical Data

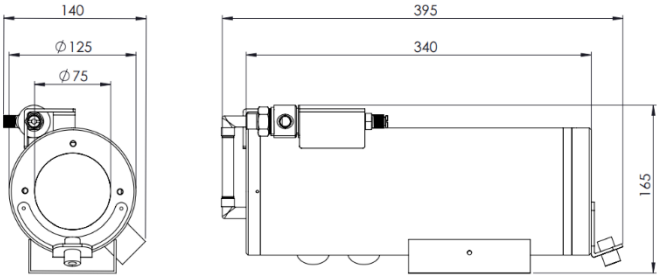
General	
Ingress Protection	IP66 / IP67
Operating Temperature	-40°C to 100°C <i>(require appropriate pressure & temperature of incoming compressed air)</i>
Mechanical	
Body Material	AISI316L Stainless Steel
Sight Glass Material	Borosilicate Front Window with Thickness 5 mm
Overall Dimension (WxHxD)	<i>Please refer to overall dimension drawings of each model.</i>
Internal Usable Size for Camera Module	Ø105 x 250 mm
Cable Entry	2 x M25
Weight	Approximate 20KG
Electrical	
Operating Voltage	AC110-240V (0.5A - 1.10A), 50/60Hz
Power Consumption	Max 110W (110V), Max 120W (240V)
Thermostatically Controlled Heater	T°C on: <10°C, T°C off: >10°C
Optional	
LED Illumination	Up to 150 meters (for SS1CH-AC-LED model)
Accessories	
Standard	Swivel Joints
Optional	Wall Bracket, Air Filter Regulator

IP Camera/Lens

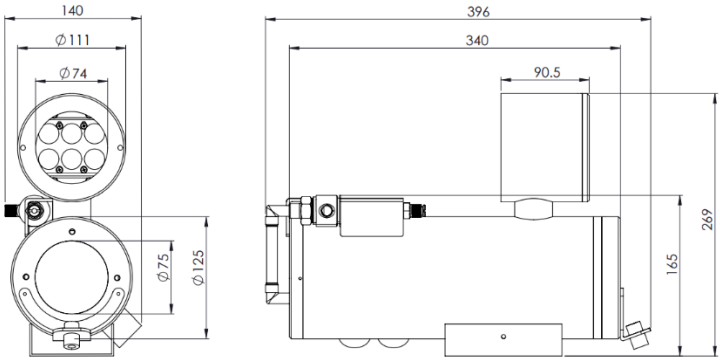
Camera	
Day/Night	Automatically removable IR-cut filter
Shutter Time	1~1/10K s
Noise Reduction	2DNR, 3DNR, NR by motion
Image Settings	Color, Brightness, Sharpness, Contrast, White Balance, Exposure Control, Masking, Text Overlay
Corridor Mode	Corridor Mode 90°, 180°, 270° rotation
Image	
Image Sensor	1/2.8" Progressive CMOS
Effective Pixels	HxV = 2065x1553 (3MP)
Pixel Size	2.5 μm
Lens	f =4.6 mm (wide) to 152.0 mm (tele), F1.6
FOV	Horizontal: 55° (wide), 2° (tele) Vertical: 43° (wide), 1.0° (tele)
Zoom	33x Optical Zoom, up to 10x Digital Zoom
Min. Illumination	Color: 0.04Lux B/W: 0.002Lux
Frame Rate (Maximum)	H265: HDR 3M @30fps + 720p @30fps
	H264: HDR 3M @30fps + 720p @30fps
	MJPEG: 1080p @30fps
Compression Standard	
Video Compression	H.265/H.264/MJPEG
Video Streaming	Up to 4 individually configurable streams in H.265/ H.264/ MJPEG Configurable resolution/ frame rate/ bandwidth LBR/ VBR/ CBR in H.265/ H.264
Network	
Security	User Authentication/ HTTPS/ IP Filter/ IEEE 802.1x
Supported Protocols	ARP, PPPoE, IPv4/v6, ICMP, IGMP, QoS, TCP, UDP, DHCP, UPnP, SNMP, SMTP, RTP, RTSP, HTTP, HTTPS, FTP, NTP, DDNS
ONVIF	Profile S/ G/ Q/ T conformant
System Integration	
Analytics	Motion Detection/ Tampering
General	
Storage	Support for microSD/ microSDHC/ microSDXC card Support for recording to NAS

*Analog camera and other camera module options are available upon request.

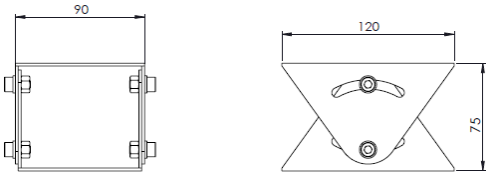
Outline Dimensions (mm)



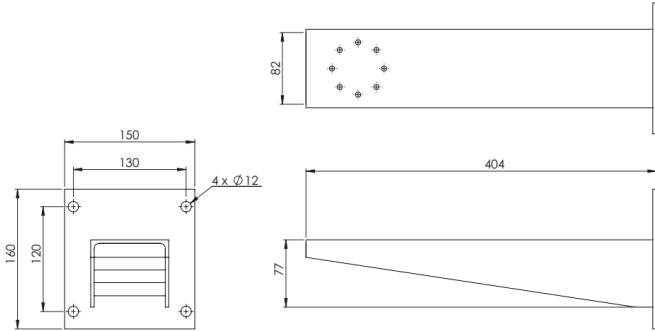
SS1CH-AC Outline Dimensions



SS1CH-AC-LED Outline Dimensions



SJ-SS1CH - Swivel Joints Outline Dimensions



WB-SS1CH - Wall Bracket Outline Dimensions

SS1CH - AC - X - 33x3M

Camera Station Options

Blank : Standard Air-Cooled Camera Housing

LED : With LED Illuminator

Standard Accessories

SJ-SS1CH : Swivel Joints

Optional Accessories

WB-SS1CH : Wall Bracket

AFR : Air Filter Regulator