

SX1LED Series

Explosion Proof Small Camera Housing



Main Features



Marine grade
AISI316L Stainless
Steel material



Ex II 2 G Ex db op pr IIC T6 Gb
/ Ex II 2 D Ex tb op pr IIIC
T80°C Db



IP 66 / 68



Operating
Temperature -40°C to
60°C



Possible to integrate
with different type of
3rd party camera
module



Vandal-proof IK10
ratings

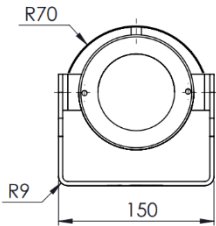
Technical Data

General	
Certification	Ex II 2 G Ex db op pr IIC T6 Gb / Ex II 2 D Ex tb op pr IIIC T80°C Db
Impact Protection	IK10
Ingress Protection	IP 66 / 68
Operating Temperature	-40°C to 60°C
Relative Humidity	≤95%
IR Illumination	Up to 30 meters
Mechanical	
Body Material	AISI316L Stainless Steel
Sight Glass Material	Window with hardened mineral clear tempered glass
Overall Dimension (WxHxD)	<i>Please refer to overall dimension drawings below</i>
Internal Usable Size for Camera Module	Ø80 x 50mm
Cable Entry	1 x M25
Weight	Approximate 5KG
Angle Adjustment	Pan: 0° to 360°, Tilt Downwards: 0° to 90°
Electrical	
Operating Voltage	DC12V ± 25% / POE
Power Consumption	Max 6W (12V), Max 8W (PoE)
Accessories	
Standard	Sunshield
Optional	Wall Bracket

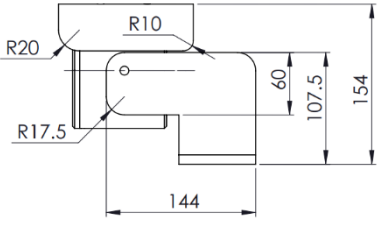
IP Camera/Lens

	8MP, IP	5MP, IP	2MP, IP
Camera			
Sensor	1/2.8" CMOS		
Focal Length	2.8mm / 4.0mm	4.0mm	2.8mm
Focus	F1.6		
Horizontal Angle of View	97.8° (2.8mm) / 87.8° (4.0mm)	77.9°	92°
Illumination Requirement	Color: 0.002Lux B/W: 0Lux with IR		
Day/Night	Dual IR Cut Filter with Auto Switch		
Effective Pixels (HxV)	3840x2160	2592 ×1944	1920 x 1080
Main Stream	PAL: 20fps (3840x2160, 3072x2048), 25fps (2560x1440, 2304x1296, 1920x1080 1280x720)	PAL: 25fps (2592×1944, 2592x1520, 2560×1440, 2304×1296), 50fps (1920×1080, 1280×720)	PAL: 25fps (1920×1080, 1280×720, 704×576, 640×480)
	NTSC: 20fps (3840x2160, 3072x2048), 30fps (2560x1440, 2304x1296, 1920x1080, 1280x720)	NTSC: 30fps (2592×1944, 2592x1520, 2560×1440, 2304×1296), 60fps (1920×1080, 1280×720)	NTSC: 30fps (1920×1080,1280×720, 704×480, 640×480)
Sub Stream	PAL: 25fps (704x576, 704x288 352x288, 640x360)	PAL: 25fps (704×576, 704×288, 640×480, 352×288)	PAL: 25fps (704×576, 704×288, 640×480, 352×288)
	NTSC: 30fps (704x480, 704x240, 352x240, 640x360)	NTSC: 30fps (704×480, 704×240, 640×480, 352×240)	NTSC: 30fps (704×480, 704×240, 640×480, 352×240)
Third Stream	PAL: 25fps (704x576, 704x288, 352x288, 640x480)	PAL: 25fps (1920×1080, 1280×720, 704×576, 704×288, 640x480, 352x288)	PAL: 25fps (704×576, 704×288, 352×288)
	NTSC: 30fps (704x480, 704x240, 352x240, 640x480)	NTSC: 30fps (1920×1080, 1280×720, 704×480, 704×240, 640x480, 352x240)	NTSC: 30fps (704×480, 704×240, 352×240)
On-board Storage	Built-in Micro-SD card slot, up to 512 GB		
Network			
Protocols	HTTP, HTTPS, TCP/IP, UDP, UPnP, ICMP, IGMP, SNMP, DHCP, DNS, DDNS, Easy DDNS, NTP, SSL, 802.1X, QoS, IPV4, IPV6, PPPoE, SSH, Unicast, Multicast, RTCP, ARP		
System Compatibility	ONVIF (PROFILE S/T/G), P2P		
Mobile Viewer Apps	Android and iOS		
Feature			
Supported Video Analytics Events	Tripwire, Perimeter	Tripwire, Double Tripwire, Perimeter, Object Abandon, Object Lost, Loitering, Running, Parking, Crowd, People Counting, On Duty Detection, Video Abnormal, Heatmap, Safety Helmet Detection	Tripwire, Perimeter
	Support detection and classification of specific target types (people or vehicle) to remove false alarm caused by animals, leaves etc		

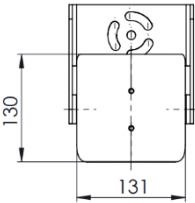
Outline Dimensions (mm)



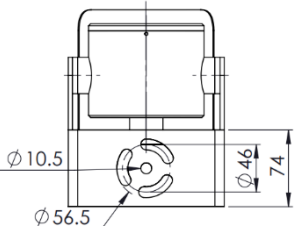
SX1LED Front Dimensions



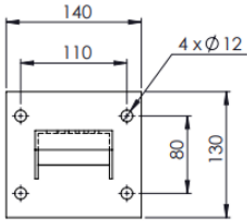
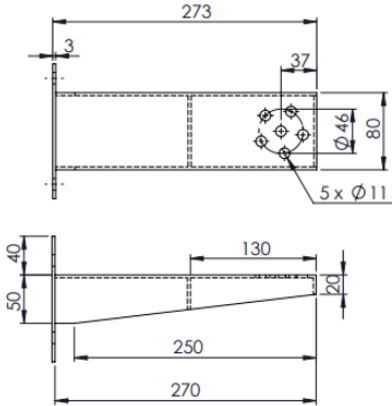
SX1LED Side Dimensions



SX1LED Top Dimensions



SX1LED Bottom Dimensions



WB-SX1LED Dimensions

SX1LED - X



Camera Module Options

8M (2.8) : 8MP (2.8mm), IP Camera

8M (4) : 8MP (4.0mm), IP Camera

5M : 5MP, IP Camera

2M : 2MP, IP Camera

Standard Accessories

SCH-SX1LED : Sunshield for Small Camera Housing

Optional Accessories

WB-SX1LED : Wall Bracket for Small Camera Housing