

PWX1 Series

Explosion Proof Stainless Steel Pressurized Washer System



PWX1

Main Features



Stainless Steel 316L
material frame
construction



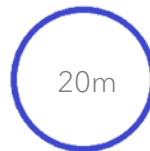
Ex II 2G Ex db IIC T6 Gb /
Ex II 2D Ex tb IIIC T80°C Db



Operating
Temperature -40°C to
60°C



10 liters washer fluid
capacity



20 meters maximum
pumping head height

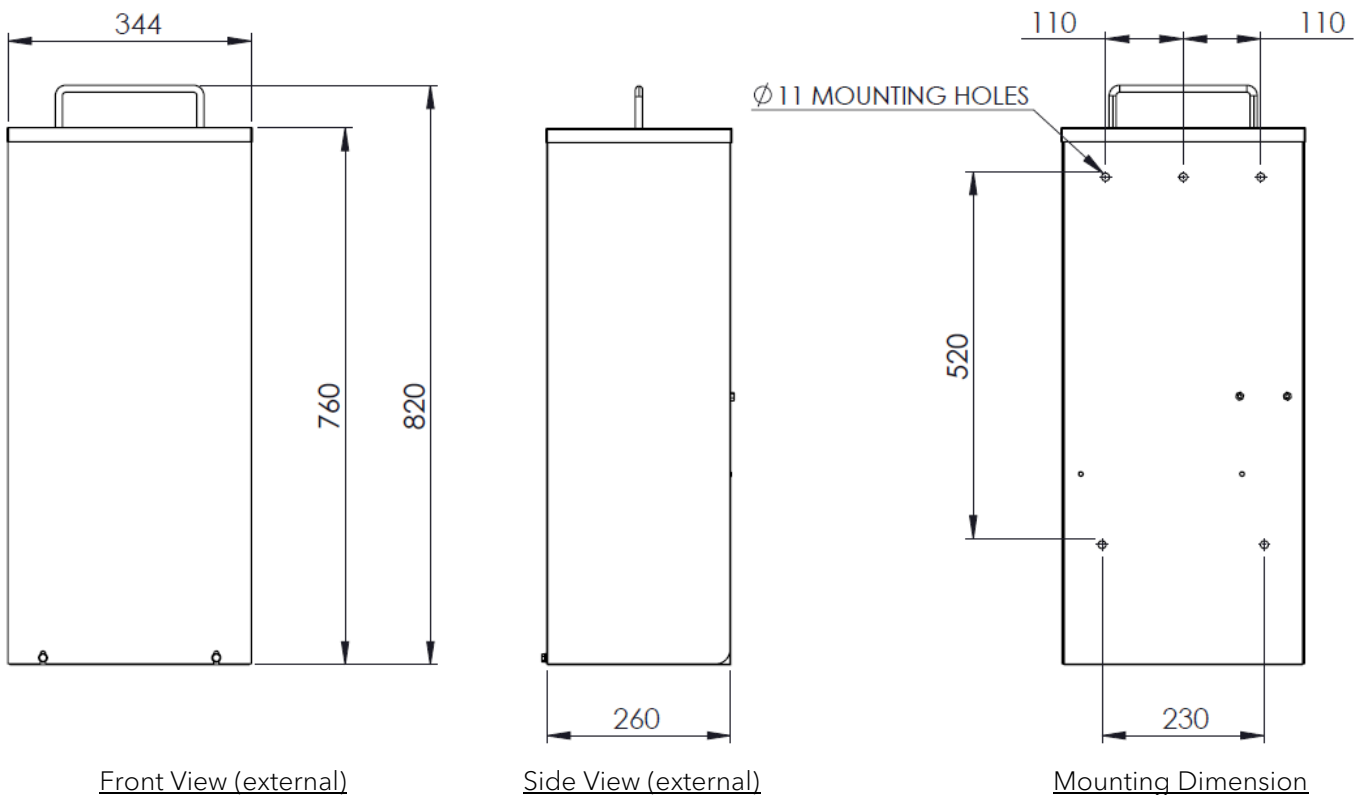


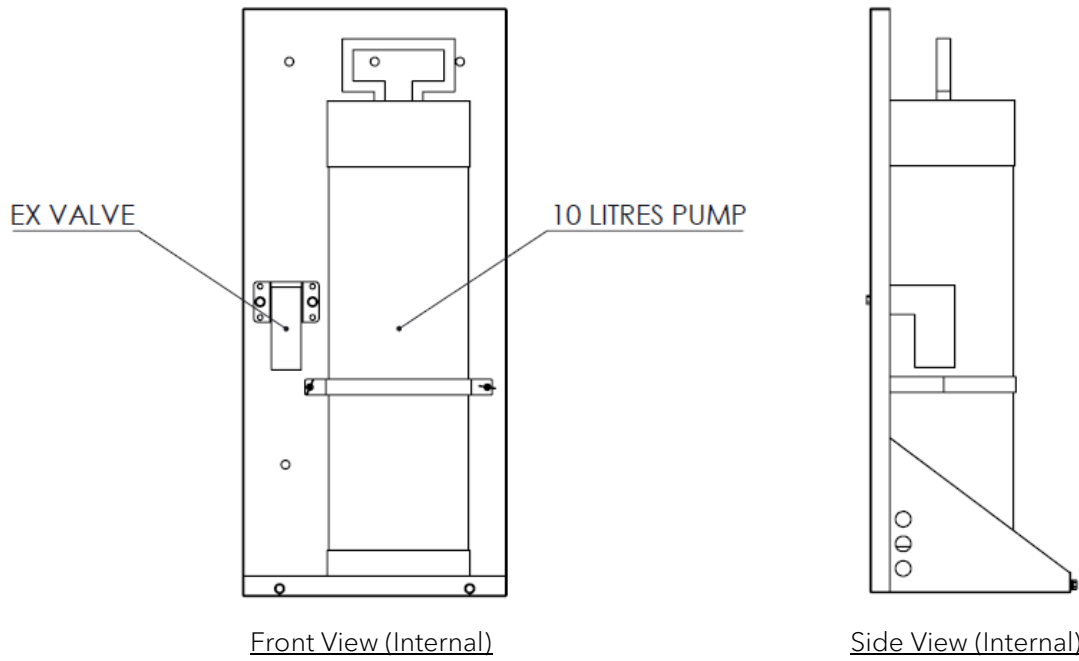
Design for ease of
installation and
maintenance

Technical Data

General	
Solenoid Valve Certification	Ex db IIC T6 or T5 or T4 Gb / Ex tb IIIC T80°C or T85°C or T130°C Db, IP66/IP67 (options for other certification type of solenoid valve are available)
Operating Temperature	-60°C ≤ Ta ≤ +65°C or +80°C or +100°C (refer to the above T class ratings)
Mechanical	
Material	Stainless Steel 316L frame construction
Tank Capacity	10 liters
Operating Pressure	Maximum 4.5 bar
Pump Head Height	Maximum 20 meters
Overall Dimension (WxHxD)	344 × 820 × 260mm
Weight (empty)	12kg
Electrical	
Operating Voltage	24VUC (universal current, AC and DC) (options for 110VAC or 230VAC upon request)
Power Consumption	10W max

Outline Dimensions (mm)





Model & Ordering Code

PWX1 - 316L