

SS1PTZ-G Series

Stainless Steel Weatherproof PTZ Thermal Camera Station



SS1PTZ-G

Main Features



Marine grade
AISI316L Stainless
Steel material



IP 66 / 68



Vandal-proof IK10
ratings



Operating
Temperature -40°C to
60°C



Options for thermal
camera available

Technical Data

General	
Ingress Protection	IP 66 / 68
Operating Temperature	-40°C to 60°C
Relative Humidity	≤95%
Mechanical	
Body Material	Stainless steel 316L material
Sight Glass Material	Window with Germanium glass
Pan & Tilt Speed	Variable speed option: 0.1 ⁰ /s to 45 ⁰ /s
Pan & Tilt Movement	Pan: 360° continuously Tilt: -90° ~ +90°
Overall Dimension (WxHxD)	<i>Please refer to overall dimension drawings of each model.</i>
Internal Usable Size for Camera Module	Ø105 x 200 mm
Cable Entries	1 x M25
Weight	Approximate 38KG
Electrical	
Operating Voltage	AC110 - 240V, 50/60Hz
Power Consumption	Max 110W (110V), Max 120W (240V)
Thermostatically Controlled Heater	T°C on: <10°C, T°C off: >10°C
Accessories	
Standard	Sunshield for Camera Housing
Optional	Wall Bracket, Sunshield for Pan & Tilt Body, Pole Top Mounting Adapter

Thermal Camera/Lens

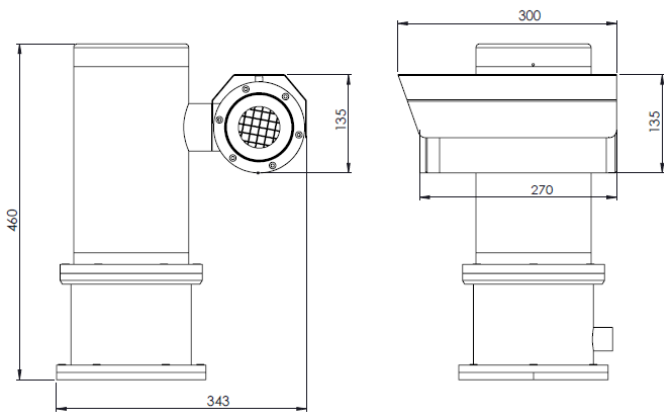
	384	640
Type	Uncooled FPA	
Resolution	384x288	640x480
Pixel pitch	17µm	
NETD	≤80mK@F1, 300K, 50Hz	
Field Frequency	50Hz	
Spectral range	8 - 14 µm	
Lens	Options: 9mm, 13mm, 25mm, 37mm, 42mm	Options: 7.5mm, 9mm, 15mm, 18mm, 30mm, 37mm
Brightness/Gain Adjustment	Yes	
Polarity Inversion	Reverse color	
Digital Zoom	1X/2X/3X/4X	

Image Enhancement	Yes
Calibration	Manually calibrate, automatically calibrate when powers on calibrate punctually when normally works
Rolling-over/mirror	On/Off
Display	Varieties of pseudo color labels (firefighting color, iron hot, red hot, amber, white hot, black hot, etc.)
Focus	Manually/Automatically
Pan & Tilt Control	Yes
Storage	Support Micro SD, up to 64G, local storage, NAS (NFS, SMB support) / FTP protocol
OSD	Time, date, channel number, channel name and custom text, temperature measurement information
Recording Models	Mobile Surveillance, Alarm Recording (Gray, highest temperature, areas, alarming cross the lines, etc.), network disconnect recording, timing recorded
Raw Thermal Image Output	25 frame/second, in the back end manually capture the signal frame raw image and data, the raw image can be analyzed and measured temperature
Ethernet	RJ-45 (10/100BASE-T)
Video Compression Format	H.264, Motion JPEG
Resolution	640x480 / 384x288
Max Frame Rate	H.264 : max 30fps at all the frame rates Motion JPEG : 640x480 : max 15fps
Video Quality Modulation	H.264 : Compression degree, target bite rate degree control
Bit Rate Control Way	H.264 : CBR or VBR
IP	IPv4
Protocol	TCP/IP, UDP/IP, RTP(UDP), RTP(TCP), RTCP, RTSP, NTP, HTTP, HTTPS, SSL, DHCP, FTP, ICMP, IGMP, ARP, DNS, DDNS
Safety	HTTPS(SSL) Login Verification, Class Login Verification, IP address filter, user access log, 802.1x ID Verification
Memorizer	Micro SD- Download the moving recorded image from SD card NAS- support to record to NAS (NETWORK Association Storage)
Applied Program Interface	OnVif Profile S
Web Reviewer	Supported Browser: Microsoft Internet Explorer (Version 9~11)
Temperature measurement range	-20°C to 180°C
Accuracy	±2°C or ±2%
Mode	Supports 3 movable points, 3 movable areas (highest temperature, lowest temperature, average temperature measurement), 3 movable points
Emissivity Correction	0.01 to 1.0 adjustable
Alarm Output	Switch output
Protocol Output	SDK alarm protocol output, ONVIF alarm information output

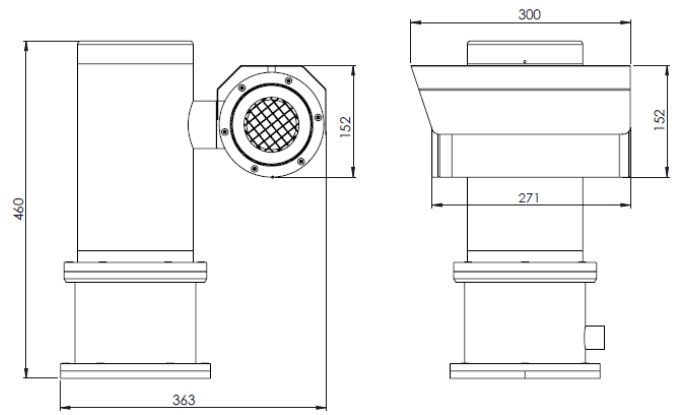
Resolution	Lens (mm)	FOV
640×480	Fixed	
	9	62.3° x 48.8°
	25	24.6° x 18.5°
	37	16.7° x 12.6°
	Motorized	
	13	45.4° x 34.8°
384×288	Fixed	
	9	39.9° x 30.4°
	18	20.6° x 15.5°
	37	10.1° x 7.6°
	Motorized	
	7.5	47.0° x 36.2°
15	24.6° x 18.5°	
30	12.4° x 9.3°	

Fixed Lens Comparison Table

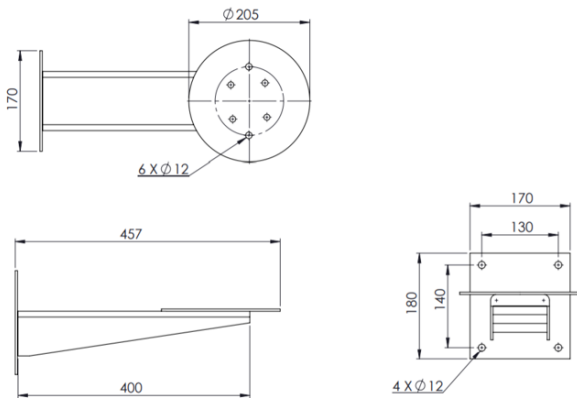
Outline Dimensions (mm)



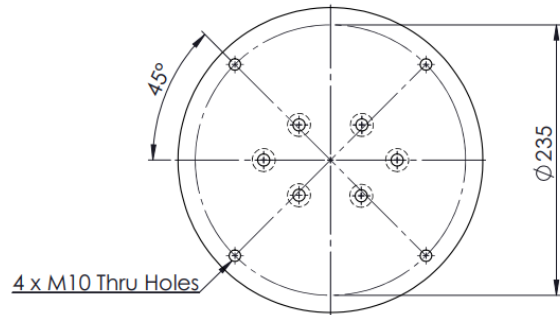
SS1PTZ-G Outline Dimensions



SS1PTZ-GL Outline Dimensions



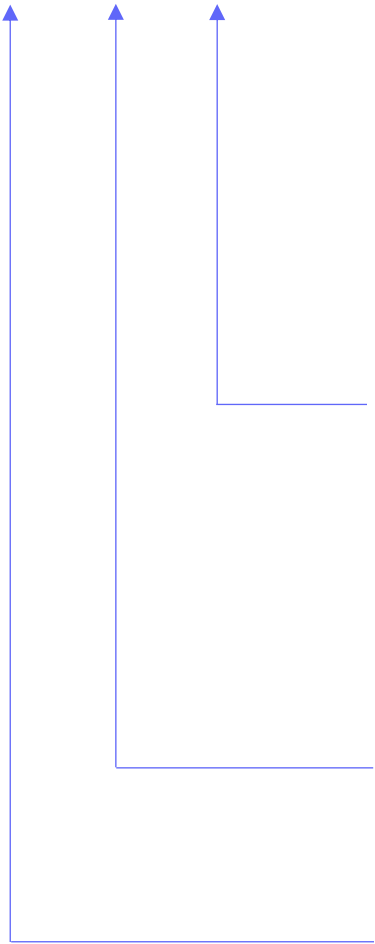
WB-SS1PTZ - Wall Bracket Outline Dimensions



PTA-SS1PTZ - Pole Top Mounting Adapter Outline Dimensions

Model & Ordering Code

SS1PTZ - X - X - X



Thermal Camera Focal Length Options

7.5	: 7.5 mm motorized lens
13	: 13 mm motorized lens
15	: 15 mm motorized lens
25	: 25 mm motorized lens
30	: 30 mm motorized lens
42	: 42 mm motorized lens
9	: 9 mm fixed lens
18	: 18 mm fixed lens
25	: 25 mm fixed lens
37	: 37 mm fixed lens

**Please refer fixed lens comparison table above.*

Thermal Camera Module Options

320	: 384x288 resolution
640	: 640x480 resolution

Camera Station Options

G	: With Germanium Window and Front Guard
GL	: Large Diameter (143 mm) with Germanium Window and Front Guard

Standard Accessories

SCH-SS1PTZ : Sunshield for Camera Housing

Optional Accessories

WB-SS1PTZ : Wall Bracket
 SPT-SS1PTZ : Sunshield for Pan & Tilt Body
 PTA-SS1PTZ : Pole Top Mounting Adapter