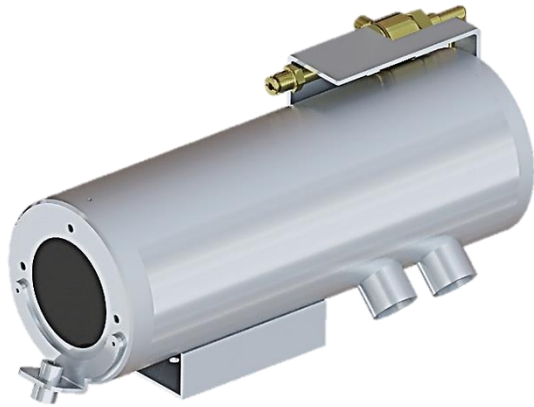
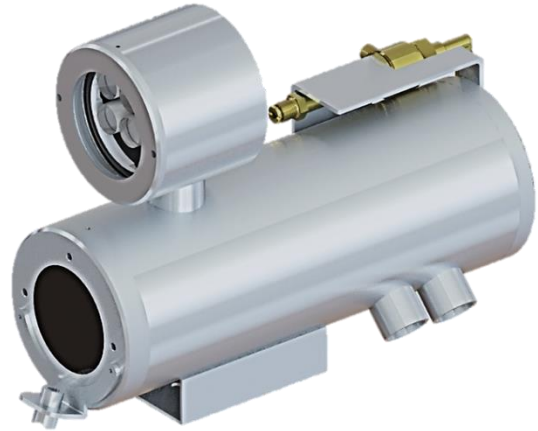


## SS1CH Series

Stainless Steel Weatherproof Fixed Air-Cooled Camera Housing



SS1CH-AC



SS1CH-AC-LED

### Main Features



Marine grade  
AISI316L Stainless  
Steel material



Operating  
Temperature -40°C to  
100°C



IP 66 / 67



Vandal-proof IK10  
ratings



Possible to integrate  
with different type of  
3rd party camera  
module



Options for thermal  
camera available



Options for LED  
illuminator available

## Technical Data

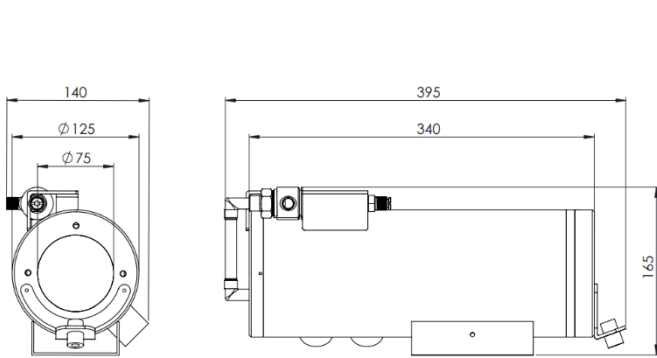
General	
Ingress Protection	IP66 / IP67
Operating Temperature	-40°C to 100°C <i>(require appropriate pressure &amp; temperature of incoming compressed air)</i>
Mechanical	
Body Material	AISI316L Stainless Steel
Sight Glass Material	Borosilicate Front Window with Thickness 5 mm
Overall Dimension (WxHxD)	<i>Please refer to overall dimension drawings of each model.</i>
Internal Usable Size for Camera Module	Ø105 x 250 mm
Cable Entry	2 x M25
Weight	Approximate 20KG
Electrical	
Operating Voltage	AC110-240V (0.5A - 1.10A), 50/60Hz
Power Consumption	Max 110W (110V), Max 120W (240V)
Thermostatically Controlled Heater	T°C on: <10°C, T°C off: >10°C
Optional	
LED Illumination	Up to 150 meters (for SS1CH-AC-LED model)
Accessories	
Standard	Swivel Joints
Optional	Wall Bracket, Air Filter Regulator

## IP Camera/Lens

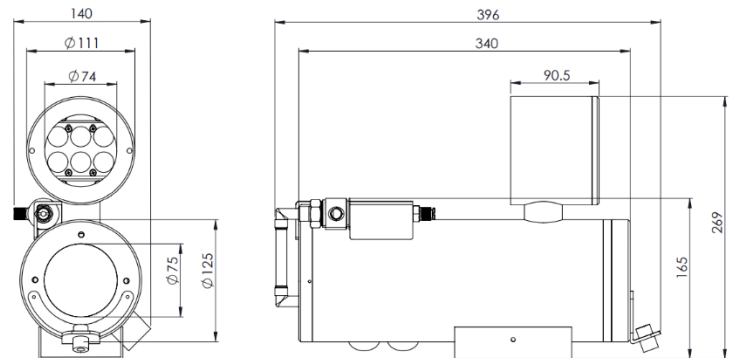
	4K, 22x Zoom, IP	3MP, 33x Zoom, IP	5MP, 4x Zoom, IP	8MP, 4x Zoom, IP	Self-learning Video Analytics Range					
					2MP, 18x Zoom, IP	2MP, IP	4MP (9), IP	4MP (22), IP	6MP, IP	8MP, IP
Sensor	1/1.8"	1/2.8"	1/2.8"	1/2.8"	1/2.8"				1/1.8"	
Focal Length (mm)	6.4 - 138.5	4.6 - 152.0	2.7 - 13.5	2.7 - 13.5	4.7 - 84.6	3.3 - 9	3.3 - 9	9 - 22	4.9 - 8	4.9 - 8
Focus	F1.5	F1.6	F1.6	F1.6	F1.6	F1.3	F1.3	F1.6	F1.8	
Horizontal Angle of View	3° - 64°	3° - 52°	103.4° - 23.8°	102.7°~29°	4.1° - 60°	34° - 99°	34° - 92°	14° - 31°	52° - 92°	52° - 92°
Effective Pixels (HxV)	3864 x 2180	2065 x 1553	2592 x 1944	3840x2160	1920 x 1080		2560 x 1440		3200 x 1800	3840 x 2160
Day/Night	Automatic removable IR-cut filter		Dual IR Cut Filter with Auto Switch	Dual IR Cut Filter with Auto Switch	Automatic, Manual					
Illumination Requirement	Color: 0.04Lux B/W: 0.002Lux		Color: 0.001Lux B/W: 0Lux with IR	Color: 0.01Lux@ (F1.6, ACG ON), B/W: 0Lux with IR	Color: 0.039Lux B/W: 0.02Lux	Color: 0.027Lux B/W: 0.014Lux	Color: 0.03Lux B/W: 0.015Lux	Color: 0.058Lux B/W: 0.029Lux	Color: 0.055Lux B/W: 0.028Lux	
Supported Video Analytics Events	Motion Detection, Tampering		Tripwire, Double Tripwire, Perimeter, Object Abandon, Object Lost, Loitering, Running, Parking, Crowded, People Counting, On Duty Detection, Video Abnormal, Audio Abnormal, Heatmap, Face Capture (Face Detection), Safety Helmet Detection, Human/Vehicle Classification	Objects in Area, Loitering, Crossing Beam, Object Appears or Enters Area, Object Not Present in Area, Objects Enter Area, Objects Leave Area, Object Stops in Area, Direction Violated, Tamper Detection						

\*Analog camera and other camera module options are available upon request.

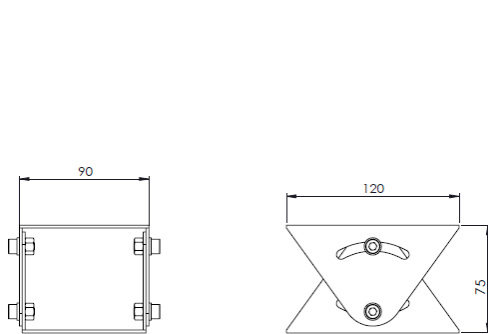
## Outline Dimensions (mm)



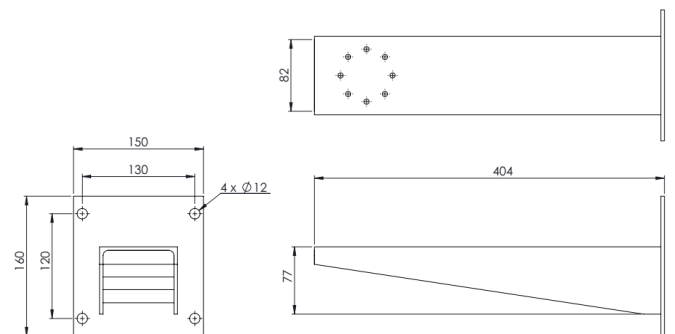
SS1CH-AC Outline Dimensions



SS1CH-AC-LED Outline Dimensions



SJ-SS1CH - Swivel Joints Outline Dimensions



WB-SS1CH - Wall Bracket Outline Dimensions

## Model & Ordering Code

---

SS1CH - AC - X - X

### Camera Module Options

- 22x4K : 4K, 22x Zoom, IP
- 33x3M : 3MP, 33x Zoom, IP
- 4X5M : 5MP, 4x Zoom, IP
- 4X8M : 8MP, 4x Zoom, IP
- 18x2M : 2MP, 18x Zoom, IP with Self-learning Video Analytics
- 2M : 2MP, IP with Self-learning Video Analytics
- 4M (9) : 4MP (3.3-9mm), IP with Self-learning Video Analytics
- 4M (22) : 4MP (9-22mm), IP with Self-learning Video Analytics
- 6M : 6MP, IP with Self-learning Video Analytics
- 8M : 8MP, IP with Self-learning Video Analytics

### Camera Station Options

- Blank : Standard Air-Cooled Camera Housing
- LED : With LED Illuminator

## Standard Accessories

SJ-SS1CH : Swivel Joints

## Optional Accessories

WB-SS1CH : Wall Bracket  
AFR : Air Filter Regulator