

SX1PTZ Series

Explosion Proof PTZ Camera Station



SX1PTZ-W



SX1PTZ-LEDW



SX1PTZ-G

Main Features



Marine grade
AISI316L Stainless
Steel material



Ex II 2 G Ex db op pr
IIC T6 Gb / Ex II 2 D
Ex tb op pr IIC T80°C



IP 66 / 68



Vandal-proof IK10
ratings



Operating
Temperature -40°C to
60°C



Possible to integrate
with different type of
3rd party camera
module



Options for thermal
camera available



Option for LED
illuminator available

Technical Data

General	
Certification	Ex II 2 G Ex db op pr IIC T6 Gb / Ex II 2 D Ex tb op pr IIIC T80°C Db
Protection Level	IP 66 / 68, TVS 6000V Lightning Protection, Surge Protection and Voltage Transient Protection
Operating Temperature	-40°C to 60°C
Relative Humidity	≤95%
Mechanical	
Body Material	Stainless steel 316L material
Sight Glass Material	Window with hardened mineral clear tempered glass
	Window with Germanium glass (for SX1PTZ-G and SX1PTZ-GL model)
Pan & Tilt Speed	Variable speed option: 0.1 ⁰ /s to 45 ⁰ /s
Pan & Tilt Movement	Pan: 360° continuously Tilt: -90° ~ +90°
Overall Dimension (WxHxD)	<i>Please refer to overall dimension drawings of each model.</i>
Internal Usable Size for Camera Module	Ø105 x 200 mm
Cable Entries	1 x M25
Weight	Approximate 38KG
Electrical	
Operating Voltage	AC110-240V, 50/60Hz
Power Consumption	Max 110W (110V), Max 120W (240V)
Thermostatically Controlled Heater	T°C on: <10°C, T°C off: >10°C
Optional	
LED Illumination	Up to 200 meters (for SX1PTZ-LEDW model)
Built in Fiber Optic Module	Single Mode or Multi Mode (-SM or -MM model, please refer to below ordering info)
Accessories	
Standard	Sunshield for Camera Housing
Optional	Wall Bracket, Sunshield for Pan & Tilt Body, Pole Top Mounting Adapter

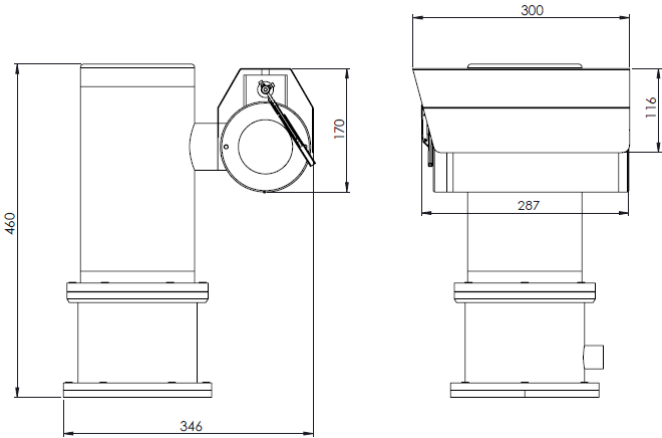
IP Camera/Lens

	4K, 22x Zoom, IP	3MP, 33x Zoom, IP	5MP, 5x Zoom, IP	8MP, 5x Zoom, IP	Self-learning Video Analytics Range					
					2MP, 18x Zoom, IP	2MP, IP	4MP (9), IP	4MP (22), IP	6MP, IP	8MP, IP
Sensor	1/1.8"	1/2.8"	1/2.8"	1/2.8"	1/2.8"				1/1.8"	
Focal Length (mm)	6.4 - 138.5	4.6 - 152.0	2.7 - 13.5	2.7 - 13.5	4.7 - 84.6	3.3 - 9	3.3 - 9	9 - 22	4.9 - 8	4.9 - 8
Focus	F1.5	F1.6	F1.6	F1.6	F1.6	F1.3	F1.3	F1.6	F1.8	
Horizontal Angle of View	3° - 64°	3° - 52°	103.4° - 23.8°	102.7°~29°	4.1° - 60°	34° - 99°	34° - 92°	14° - 31°	52° - 92°	52° - 92°
Effective Pixels (HxV)	3864 x 2180	2065 x 1553	2592 x 1944	3840x2160	1920 x 1080		2560 x 1440		3200 x 1800	3840 x 2160
Day/Night	Automatic removable IR-cut filter		Dual IR Cut Filter with Auto Switch	Dual IR Cut Filter with Auto Switch	Automatic, Manual					
Illumination Requirement	Color: 0.04Lux B/W: 0.002Lux		Color: 0.001Lux B/W: 0Lux with IR	Color: 0.01Lux@ (F1.6, ACG ON), B/W: 0Lux with IR	Color: 0.039Lux B/W: 0.02Lux	Color: 0.027Lux B/W: 0.014Lux	Color: 0.03Lux B/W: 0.015Lux	Color: 0.058Lux B/W: 0.029Lux	Color: 0.055Lux B/W: 0.028Lux	
Supported Video Analytics Events	Motion Detection, Tampering		Tripwire, Double Tripwire, Perimeter, Object Abandon, Object Lost, Loitering, Running, Parking, Crowded, People Counting, On Duty Detection, Video Abnormal, Audio Abnormal, Heatmap, Face Capture (Face Detection), Safety Helmet Detection, Human/Vehicle Classification		Objects in Area, Loitering, Crossing Beam, Object Appears or Enters Area, Object Not Present in Area, Objects Enter Area, Objects Leave Area, Object Stops in Area, Direction Violated, Tamper Detection					

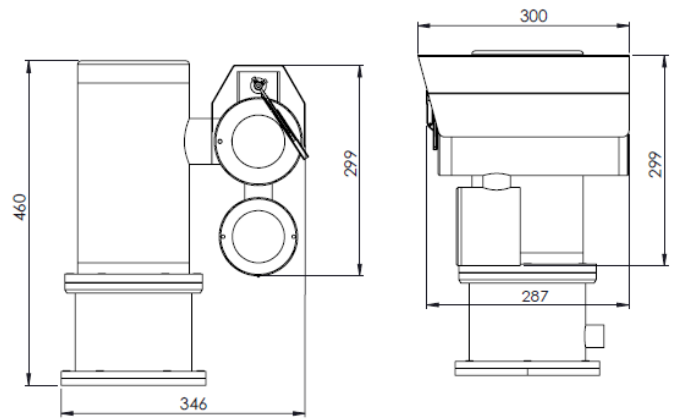
*Analog camera and other camera module options are available upon request.

*Thermal camera options are available for G model. Please contact us for the details

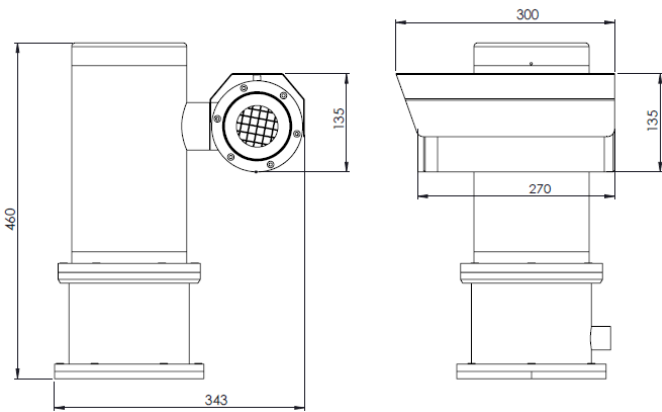
Outline Dimensions (mm)



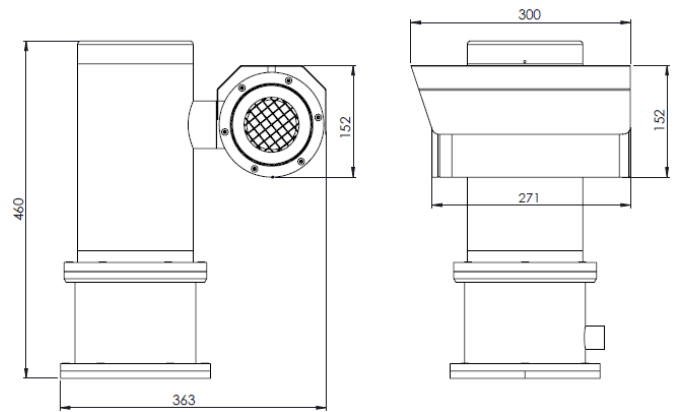
SX1PTZ-W Outline Dimensions



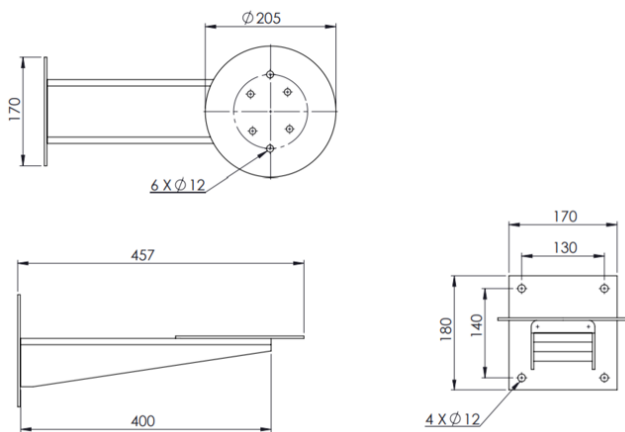
SX1PTZ-LEDW Outline Dimensions



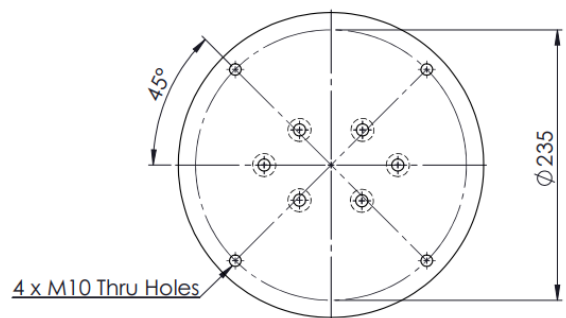
SX1PTZ-G Outline Dimensions



SX1PTZ-GL Outline Dimensions



WB-SX1PTZ - Wall Bracket Outline Dimensions



PTA-SX1PTZ - Pole Top Mounting Adapter Outline Dimensions

Model & Ordering Code

SX1PTZ - X - X - X

Built-in Fiber Optic Module Options

SM : Single Mode
MM : Multi Mode

Camera Module Options

22x4K : 4K, 22x Zoom, IP
33x3M : 3MP, 33x Zoom, IP
5X5M : 5MP, 5x Zoom, IP
5X8M : 8MP, 5x Zoom, IP
18x2M : 2MP, 18x Zoom, IP with Self-learning Video Analytics
2M : 2MP, IP with Self-learning Video Analytics
4M (9) : 4MP (3.3-9mm), IP with Self-learning Video Analytics
4M (22) : 4MP (9-22mm), IP with Self-learning Video Analytics
6M : 6MP, IP with Self-learning Video Analytics
8M : 8MP, IP with Self-learning Video Analytics

Camera Station Options

W : Fitted with wiper mechanism
LEDW : With LED Illuminator and Wiper
G : With Germanium Window and Front Guard
GL : Large Diameter (143 mm) with Germanium Window and Front Guard

Standard Accessories

SCH-SX1PTZ : Sunshield for Camera Housing

Optional Accessories

WB-SX1PTZ : Wall Bracket
SPT-SX1PTZ : Sunshield for Pan & Tilt Body
PTA-SX1PTZ : Pole Top Mounting Adapter