

RDT Series

Rapid Deployment Trailer with Solar Powered for CCTV, PA & Video Analytics

Integrated with Ventionex PTZ Camera and/or Fixed Camera



Main Features



Designed for harsh environment



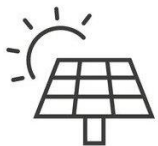
Live view and control via mobile



Retractable pneumatic mast up to 6m height



Advanced VCA - Detection and classification of specific target types (people or vehicle)



Solar powered system



Wireless Option for CPE or 4G/5G Cellular



PA equipment optional



PTZ and/or Fixed cameras

Technical Data

Trailer and Telescopic Mast	
Trailer Type	2-wheel single axle trailer
Trailer Material	Epoxy coated steel
Weight	500 kg
Dimensions (L x W x H)	2.28 x 1.25 x 1.50 m (Trailer without telescopic mast)
	2.28 x 1.25 x 2.20 m (Trailer with retracted telescopic mast)
	2.28 x 1.25 x 2.50 m (Trailer with retracted telescopic mast and mast-top equipment)
	2.5 x 2.1 x 6.0 m (Trailer with extended telescopic mast and extracted solar panels) - operational state
Movability	Towable trailer
Mast Load	40 kg (max)
Mast Height	6m (from ground)
Mast Material	Epoxy coated aluminium
Mast Dynamics	Pneumatic
Operating Temperature	-10 °C ~ 60 °C
Electrical	
Battery Type	Deep Cycle Gel Type battery (<i>other options available upon request</i>)
Battery Packs	2 (<i>other options available upon request</i>)
Battery per Packs	12VDC/200AH (<i>other options available upon request</i>)
Total Capacity	4800VAH (<i>other options available upon request</i>)
Estimated Service Time	@50W consumption: max. 96h (4 days), based on 4800VAH, w/o solar panel
VAC Power Input (optional)	110-230VAC/50-60Hz (Only available if mention during ordering)
Solar Panel	3x100W max. output, Dimension: 1.3 x 0.7 m (contracted), 1.3 x 2.1 m (extended) (<i>other options available upon request</i>)
Equipment Option	
IP Cameras (max 2)	<i>Please see below for camera options</i>
Wireless	CPE transmission or 4G/5G Cellular transmission
PA System	15Watt or 30Watt speaker, amplifier included (<i>other options available upon request</i>)

IP Cameras Options

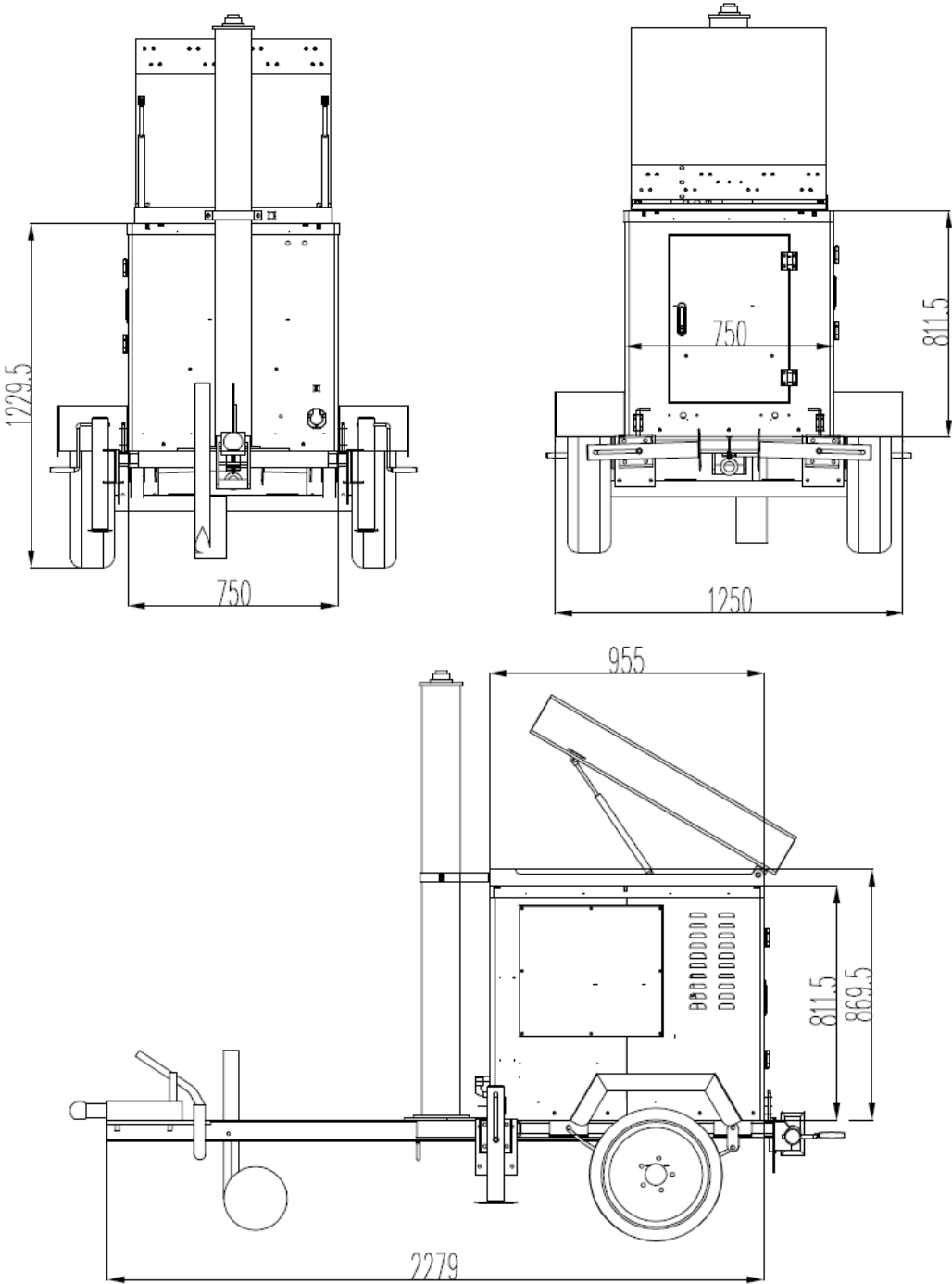
PTZ camera model AP2Y

Camera	
Max. Image Resolution	1920x1080
Mainstream	PAL: 50fps (1920x1080, 1280x960, 1280x720)
	NTSC: 60fps (1920x1080, 1280x960, 1280x720)
Substream	PAL: 25fps (704x576, 704x288, 640x360, 352x288)
	NTSC: 30fps (704x480, 704x240, 640x360, 352x240)
3rd Stream	PAL: 25fps (1920x1080, 1280x960, 1280x720, 640x480, 704x576, 704x288, 352x288)
	NTSC: 30fps (1920x1080, 1280x960, 1280x720, 640x480, 704x480, 704x240, 352x240)
Image Compression	S+265/H.265/H.264/MJPEG
ROI	7 Dynamic Areas for Both Main and Sub Stream, support auto-tracking ROI
Lens	
Focal Length	4.6 ~ 152mm, 33 x zoom
Zoom Speed	<5s (Optical Wide-Tele)
Horizontal Angle of View	Horizontal: 60.5° (wide) ~ 2.3° (tele)
Aperture Range	F1.5 ~ F4.0
Infrared	
IR Range	Up to 150m
IR Irradiation Angle	Adjustable by Zoom
IR LEDs	4pcs
Pan & Tilt	
Pan Range	360° Endless
Pan Speed	Manual Speed: 0.1° ~ 180°/s Preset Speed: 240°/s
Preset Accuracy	±0.4°
Tilt Range	-16° ~ 90° (Auto Flip)
Tilt Speed	Manual Speed: 0.1° ~ 120°/s Preset Speed: 180°/s
3D Position	Yes
Number of Preset	500
Scan	8
Cruise	16, up to 32 Presets per Cruise
Pattern	8, Each One with 600s Memory or 1000 Sequences
Power-off Memory	Yes
Advanced	
Advanced Video Analytics	Tripwire, Double Tripwire, Perimeter, Running, Heatmap, Loitering, Object Abandoned, Missing Object, Parking, Heatmap, Video Abnormal, Crowd, Demographics *Support detection and classification of specific target types (people or vehicle) to remove false alarm caused by animals, leaves etc.
Smart tracking	Yes
Alarm Trigger	Harsh Voice Alarm, Motion Detection, Mask Alarm, Port Alarm, Network Disable Alarm, IP Conflict, MAC Conflict Detection
General	
Language	English, Russian, Spanish, Korean, Italian, Turkish, Simple Chinese, Traditional Chinese, Thai, French, Polish
Ingress Protection	IP66

Fixed camera model AB2Y

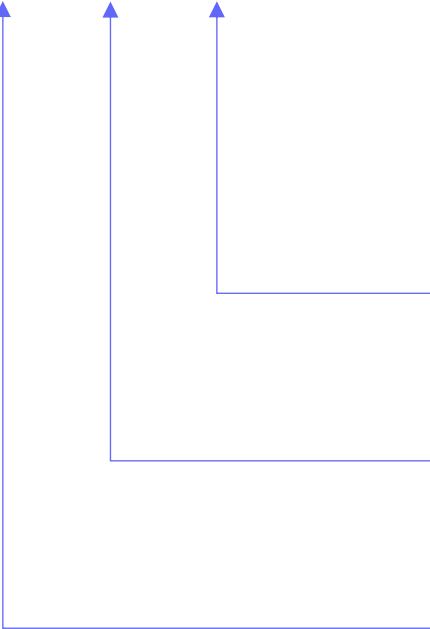
Camera	
Max. Image Resolution	1920x1080
Mainstream	PAL: 25fps (1920x1080, 1280x960, 1280x720, 704x576, 640x480)
	NTSC: 30fps (1920x1080, 1280x960, 1280x720, 704x480, 640x480)
Substream	PAL: 25fps (704x576, 704x288, 640x360, 352x288)
	NTSC: 30fps (704x480, 704x240, 640x360, 352x240)
3rd Stream	4CIF
Image Settings	Saturation, brightness, contrast, sharpness, adjustable by web browser
Image Enhancement	BLC/3D DNR/HLC/Corridor Format
Smart Defog	Yes
ROI	7 fixed regions
Privacy Mask	Yes
Picture Overlay	Yes
Infrared	
IR Range	Up to 50m
IR LEDs	4pcs
Advanced	
Advanced Video Analytics	Tripwire, Double Tripwire, Perimeter, Running, Heatmap, Loitering, Object Abandoned, Missing Object, Parking, Crowd, Demographics, and On Duty Detection. *Support detection and classification of specific target types (people or vehicle) to remove false alarm caused by animals, leaves etc.
Alarm Trigger	Event Input, Event Output, Motion Detection, Mask Alarm, Disk Full, Disk R/W Error, IP Address Conflict, MAC Address Conflict, FTP Server Exception
General	
Language	English, Russian, Spanish, Korean, Italian, Turkish, Simple Chinese, Traditional Chinese, Thai, French, Polish, Dutch, Hebraism, Farsi, Arabic
Ingress Protection	IP67

Outline Dimensions (mm)



RDT Outline Dimensions

RDT - X - X - X



PA Options

- Blank : No additional PA equipment
- 15W : Equipped with 15Watt PA equipment
- 30W : Equipped with 30Watt PA equipment

Wireless Options

- CPE : CPE solution
- 4G : 4G cellular solution
- 5G : 5G cellular solution

IP Camera Options

- 1P : 1 PTZ camera model AP2Y
- 1F : 1 Fixed camera model AB2Y
- 2P : 2 PTZ camera model AP2Y
- 2F : 2 Fixed camera model AB2Y
- PF : 1 PTZ camera model AP2Y and
1 Fixed camera model AB2Y