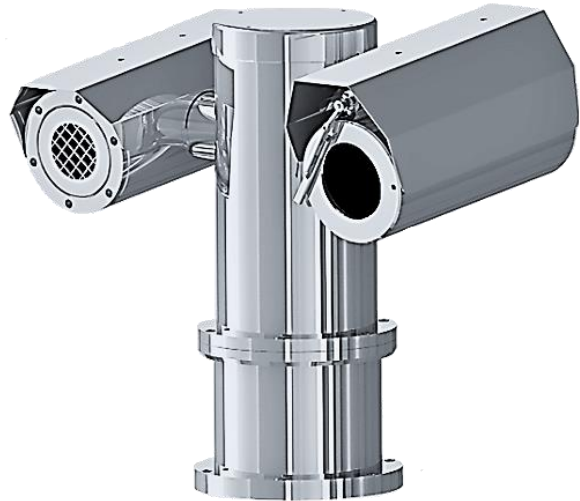


SS1PTZD Series

Stainless Steel Weatherproof Dual PTZ Camera Station



SS1PTZD-LEDW-G



SS1PTZD-W-G

Main Features



Marine grade
AISI316L Stainless
Steel material



Operating
Temperature -40°C to
60°C



IP 66 / 68



Vandal-proof IK10
ratings



Fitted with wiper
mechanism



Possible to integrate
with different type of
3rd party camera
module



Options for thermal
camera available



Option for LED
illuminator available

Technical Data

General	
Ingress Protection	IP 66 / 68
Operating Temperature	-40°C to 60°C
Relative Humidity	≤95%
Mechanical	
Body Material	Stainless steel 316L material
Sight Glass Material	Window with hardened mineral clear tempered glass
	Window with Germanium glass (for SS1PTZD-G models)
Pan & Tilt Speed	Variable speed option: 0.1 ⁰ /s to 45 ⁰ /s
Pan & Tilt Movement	Pan: 360° continuously Tilt: -90° ~ +90°
Overall Dimension (WxHxD)	<i>Please refer to overall dimension drawings of each model.</i>
Cable Entries	1 x M25
Weight	Approximate 40KG
Electrical	
Operating Voltage	AC110-240V, 50/60Hz
Power Consumption	Max 110W (110V), Max 120W (240V)
Thermostatically Controlled Heater	T°C on: <10°C, T°C off: >10°C
Optional	
LED Illumination	Up to 200 meters (for SS1PTZ-LEDW model)
Accessories	
Standard	Sunshield for Camera Housing
Optional	Wall Bracket, Sunshield for Pan & Tilt Body, Pole Top Mounting Adapter

IP Camera/Lens

	4K, 22x Zoom, IP	3MP, 33x Zoom, IP	5MP, 5x Zoom, IP	8MP, 5x Zoom, IP	Self-learning Video Analytics Range					
					2MP, 18x Zoom, IP	2MP, IP	4MP (9), IP	4MP (22), IP	6MP, IP	8MP, IP
Sensor	1/1.8"	1/2.8"	1/2.8"	1/2.8"	1/2.8"				1/1.8"	
Focal Length (mm)	6.4 - 138.5	4.6 - 152.0	2.7 - 13.5	2.7 - 13.5	4.7 - 84.6	3.3 - 9	3.3 - 9	9 - 22	4.9 - 8	4.9 - 8
Focus	F1.5	F1.6	F1.6	F1.6	F1.6	F1.3	F1.3	F1.6	F1.8	
Horizontal Angle of View	3° - 64°	3° - 52°	103.4° - 23.8°	102.7°~29°	4.1° - 60°	34° - 99°	34° - 92°	14° - 31°	52° - 92°	52° - 92°
Effective Pixels (HxV)	3864 x 2180	2065 x 1553	2592 x 1944	3840x2160	1920 x 1080		2560 x 1440		3200 x 1800	3840 x 2160
Day/Night	Automatic removable IR-cut filter		Dual IR Cut Filter with Auto Switch	Dual IR Cut Filter with Auto Switch	Automatic, Manual					
Illumination Requirement	Color: 0.04Lux B/W: 0.002Lux		Color: 0.001Lux B/W: 0Lux with IR	Color: 0.01Lux@ (F1.6, ACG ON), B/W: 0Lux with IR	Color: 0.039Lux B/W: 0.02Lux	Color: 0.027Lux B/W: 0.014Lux	Color: 0.03Lux B/W: 0.015Lux	Color: 0.058Lux B/W: 0.029Lux	Color: 0.055Lux B/W: 0.028Lux	
Supported Video Analytics Events	Motion Detection, Tampering		Tripwire, Double Tripwire, Perimeter, Object Abandon, Object Lost, Loitering, Running, Parking, Crowded, People Counting, On Duty Detection, Video Abnormal, Audio Abnormal, Heatmap, Face Capture (Face Detection), Safety Helmet Detection, Human/Vehicle Classification	Objects in Area, Loitering, Crossing Beam, Object Appears or Enters Area, Object Not Present in Area, Objects Enter Area, Objects Leave Area, Object Stops in Area, Direction Violated, Tamper Detection						

*Analog camera and other camera module options are available upon request.

Thermal Camera/Lens

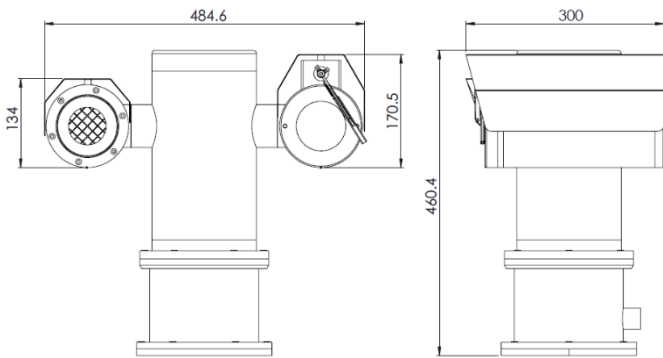
	384	640
Type	Uncooled FPA	
Resolution	384x288	640x480
Pixel pitch	17µm	
NETD	≤80mK@F1, 300K, 50Hz	
Field Frequency	50Hz	
Spectral range	8 - 14 µm	
Lens	Options: 9mm, 13mm, 25mm, 37mm, 42mm	Options: 7.5mm, 9mm, 15mm, 18mm, 30mm, 37mm
Brightness/Gain Adjustment	Yes	
Polarity Inversion	Reverse color	
Digital Zoom	1X/2X/3X/4X	

Image Enhancement	Yes
Calibration	Manually calibrate, automatically calibrate when powers on calibrate punctually when normally works
Rolling-over/mirror	On/Off
Display	Varieties of pseudo color labels (firefighting color, iron hot, red hot, amber, white hot, black hot, etc.)
Focus	Manually/Automatically
Pan & Tilt Control	Yes
Storage	Support Micro SD, up to 64G, local storage, NAS (NFS, SMB support) / FTP protocol
OSD	Time, date, channel number, channel name and custom text, temperature measurement information
Recording Models	Mobile Surveillance, Alarm Recording (Gray, highest temperature, areas, alarming cross the lines, etc.), network disconnect recording, timing recorded
Raw Thermal Image Output	25 frame/second, in the back end manually capture the signal frame raw image and data, the raw image can be analyzed and measured temperature
Ethernet	RJ-45 (10/100BASE-T)
Video Compression Format	H.264, Motion JPEG
Resolution	640x480 / 384x288
Max Frame Rate	H.264 : max 30fps at all the frame rates Motion JPEG : 640x480 : max 15fps
Video Quality Modulation	H.264 : Compression degree, target bite rate degree control
Bit Rate Control Way	H.264 : CBR or VBR
IP	IPv4
Protocol	TCP/IP, UDP/IP, RTP(UDP), RTP(TCP), RTCP, RTSP, NTP, HTTP, HTTPS, SSL, DHCP, FTP, ICMP, IGMP, ARP, DNS, DDNS
Safety	HTTPS(SSL) Login Verification, Class Login Verification, IP address filter, user access log, 802.1x ID Verification
Memorizer	Micro SD- Download the moving recorded image from SD card NAS- support to record to NAS (NETWORK Association Storage)
Applied Program Interface	OnVif Profile S
Web Reviewer	Supported Browser: Microsoft Internet Explorer (Version 9~11)
Temperature measurement range	-20°C to 180°C
Accuracy	±2°C or ±2%
Mode	Supports 3 movable points, 3 movable areas (highest temperature, lowest temperature, average temperature measurement), 3 movable points
Emissivity Correction	0.01 to 1.0 adjustable
Alarm Output	Switch output
Protocol Output	SDK alarm protocol output, ONVIF alarm information output

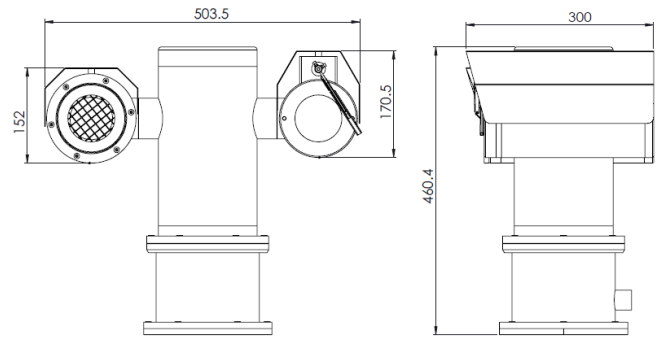
Resolution	Lens (mm)	FOV
640×480	Fixed	
	9	62.3° x 48.8°
	25	24.6° x 18.5°
	37	16.7° x 12.6°
	Motorized	
	13	45.4° x 34.8°
	25	24.6° x 18.5°
	42	14.8° x 11.1°
384×288	Fixed	
	9	39.9° x 30.4°
	18	20.6° x 15.5°
	37	10.1° x 7.6°
	Motorized	
	7.5	47.0° x 36.2°
	15	24.6° x 18.5°
	30	12.4° x 9.3°

Fixed Lens Comparison Table

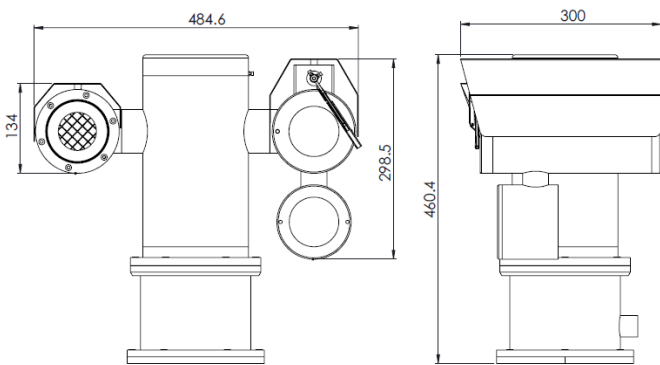
Outline Dimensions (mm)



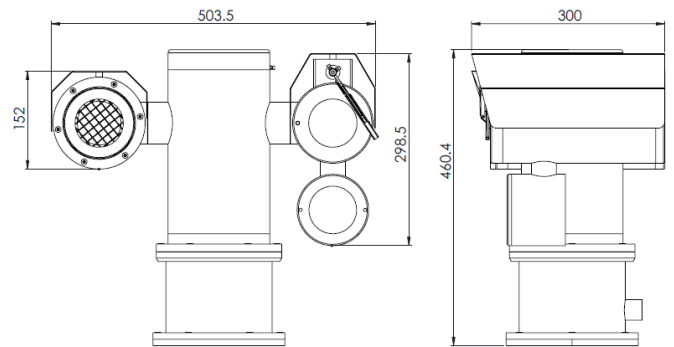
SS1PTZD-W-G Outline Dimensions



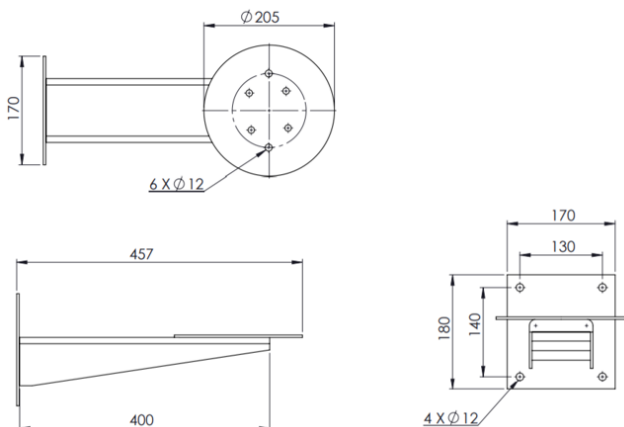
SS1PTZD-W-GL Outline Dimensions



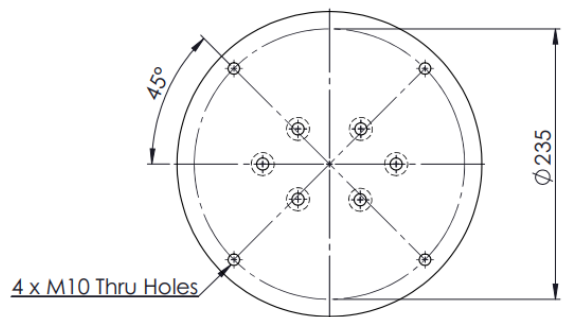
SS1PTZD-LEDW-G Outline Dimensions



SS1PTZD-LEDW-GL Outline Dimensions



WB-SS1PTZ - Wall Bracket Outline Dimensions



PTA-SS1PTZ - Pole Top Mounting Adapter Outline Dimensions

Model & Ordering Code

SS1PTZD - X - X - X - X - X - X

Camera Station Options

W : Fitted with wiper
 LEDW : With LED Illuminator and Wiper

Camera Station Options

G : With Germanium Window and Front Guard
 GL : Large Diameter (143 mm) with Germanium Window and Front Guard

Camera Module Options

22x4K : 4K, 22x Zoom, IP
 33x3M : 3MP, 33x Zoom, IP
 5X5M : 5MP, 5x Zoom, IP
 5X8M : 8MP, 5x Zoom, IP
 18x2M : 2MP, 18x Zoom, IP with Self-learning Video Analytics
 2M : 2MP, IP with Self-learning Video Analytics
 4M (9) : 4MP (3.3-9mm), IP with Self-learning Video Analytics
 4M (22) : 4MP (9-22mm), IP with Self-learning Video Analytics
 6M : 6MP, IP with Self-learning Video Analytics
 8M : 8MP, IP with Self-learning Video Analytics

Detection Mode Options

Blank : Normal Temperature
 H : High Temperature

Thermal Camera Focal Length Options

7.5 : 7.5 mm motorized lens
 13 : 13 mm motorized lens
 15 : 15 mm motorized lens
 25 : 25 mm motorized lens
 30 : 30 mm motorized lens
 42 : 42 mm motorized lens
 9 : 9 mm fixed lens
 18 : 18 mm fixed lens
 25 : 25 mm fixed lens
 37 : 37 mm fixed lens

**Please refer fixed lens comparison table above.*

Thermal Camera Module Options

320 : 384x288 resolution
 640 : 640x480 resolution

Standard Accessories

SCH-SS1PTZD : Sunshield for Camera Housing

Optional Accessories

WB-SS1PTZ : Wall Bracket
 SPT-SS1PTZD : Sunshield for Pan & Tilt Body
 PTA-SS1PTZ : Pole Top Mounting Adapter