

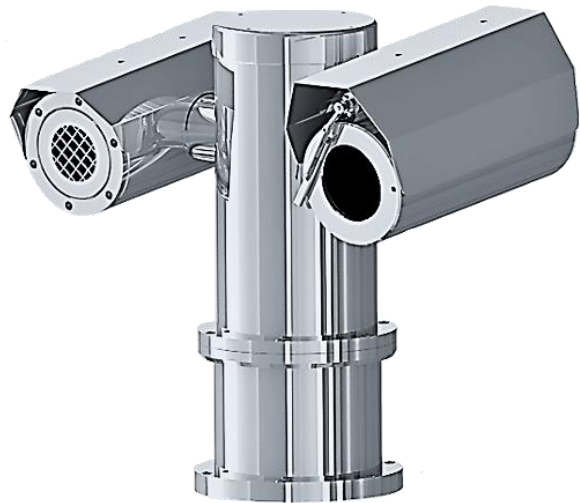
SS1PTZD Series with BOSCH Camera

Stainless Steel Weatherproof Dual PTZ Camera Station

Integrated with 2MP Bosch DINION 6000 Camera Module and 17x Optical Zoom Autofocus Lens
+ Thermal Camera (384x288 or 640x480) Module



SS1PTZD-LEDW-G



SS1PTZD-W-G

Main Features



Marine grade
AISI316L Stainless
Steel material



IP 66 / 68



Vandal-proof IK10
ratings



Fitted with wiper
mechanism



Bosch 2MP Box
Camera with 17x
optical zoom
autofocus lens



384x288 or 640x480
resolution for thermal
camera module



Option for IEEE
802.3bt PoE++
(90Watt)



Option for LED
illuminator available

Technical Data

General	
Protection Level	IP 66 / 68, TVS 6000V Lightning Protection, Surge Protection and Voltage Transient Protection
Operating Temperature	-40°C to 60°C
Relative Humidity	≤95%
Mechanical	
Body Material	Stainless steel 316L material
Sight Glass Material	Window with hardened mineral clear tempered glass
	Window with Germanium glass (for SS1PTZD-G models)
Pan & Tilt Speed	Variable speed option: 0.1 ⁰ /s to 45 ⁰ /s
Pan & Tilt Movement	Pan: 360° continuously Tilt: -90° ~ +90°
Overall Dimension (WxHxD)	<i>Please refer to overall dimension drawings of each model.</i>
Cable Entries	1 x M25 (optional additional cable entry upon request)
Weight	Approximate 42KG
Electrical	
Operating Voltage	AC110-240V (0.5A - 1.10A), 50/60Hz Optional: IEEE 802.3bt PoE++(90W)
Power Consumption	Max 110W (110V), Max 120W (240V)
Thermostatically Controlled Heater	T°C on: <10°C, T°C off: >10°C
Optional	
LED Illumination	Up to 200 meters (for SS1PTZ-LEDW model)
Accessories	
Standard	Sunshield for Camera Housing
Optional	Wall Bracket, Sunshield for Pan & Tilt Body

IP Camera/Lens

Camera	
Day/Night	Auto (adjustable switch points), Color, Monochrome
Shutter Time	Automatic Electronic Shutter (AES); Fixed shutter (1/25[30] to 1/15000) selectable; Default shutter
Noise Reduction	Intelligent Dynamic Noise Reduction Intelligent Streaming
Image Settings	Color, Brightness, Sharpness, Contrast, White Balance, Exposure Control, Masking, Text Overlay
Corridor Mode	Corridor Mode 90°, 180°, 270° rotation
Image	
Image Sensor	1/2.8" Progressive CMOS
Effective Pixels	HxV = 1920x1080 (2MP)
Pixel Size	4 μm
Lens	f =7.5 mm (wide) to 127.0 mm (tele), F1.6
Zoom	17x Optical Zoom with Autofocus
Min. Illumination	Color: 0.0069Lux B/W: 0.0008Lux
Compression Standard	
Video Compression	H.264/MJPEG
Video Streaming	Multiple configurable streams in H.264 and MJPEG, configurable frame rate and bandwidth. Regions of Interest (ROI)
Network	
Security	User Authentication/ HTTPS/ IP Filter/ IEEE 802.1x
Supported Protocols	IPv4, IPv6, UDP, TCP, HTTP, HTTPS, RTP/RTCP, IGMP V2/V3, ICMP, ICMPv6, RTSP, FTP, ARP, DHCP, APIPA (Auto-IP, link local address), NTP (SNTP), SNMP (V1, V3, MIB-II), 802.1x, DNS, DNSv6, DDNS (DynDNS.org, selfHOST.de, noip.com), SMTP, iSCSI, UPnP (SSDP), DiffServ (QoS), LLDP, SOAP, Dropbox™, CHAP, digest authentication
ONVIF	Profile S/ G/ M/ T conformant
System Integration	
Analytics	Rule-based alarms and tracking, Line crossing, Enter /leave the field, Follow route Loitering, Idle/removed object, People counting, Crowd density estimation, 3D tracking, Audio detection (if microphone used)
General	
Storage	Supports up to 32 GB microSDHC / 2 TB microSDXC card. Extreme lifetime and health monitoring support that provides early service indication. Recommended: Industrial microSD cards with health monitoring

*Analog camera and other camera module options are available upon request.

*Thermal camera options are available for G model. Please contact us for the details

Thermal Camera/Lens

	384	640
Video		
Type	Uncooled FPA microbolomete	
Resolution	384x288	640x480
Pixel pitch	17 μ m	
NETD	$\leq 50\text{mK}@f1.0, 300\text{K}, 30\text{Hz}$	
Field Frequency	50Hz	
Spectral range	8 ~ 14 μ m	
Lens		
Focal Length Options	Motorized focus lens: 4.8mm, 8mm(f0.8), 12mm, 20mm, 35mm, 50mm	
Focus Control (Motorized focus lens only)	Motorized focus by pressing "focus +/-" button	
Operational		
OSD	Off / On (English: 20 characters, 5 Lines)	
Pan & Tilt Control	Yes	
Frame Frequency	25 / 30Hz	
Brightness	Manual adjustment (0~100)	
Gain Control	Manual adjustment (0~100)	
Image Enhancement	On / Off (Edge enhancement only)	
Digital Noise Reduction (DNR)	SSNR (2D) Noise Filter (Off / On)	
Rotate Image	Flip: On / Off, Mirror: On / Off	
Intelligent Video Analytics	Motion Detection	
Alarm Triggers	Temperature Alarm, Motion Detection	
Built-in Motion Detection	Off / On (3 Zones, Rectangular)	
Temperature Alarm Events	Up to 10 rectangular ROIs, temperature setting in each ROI in max., min., or average	
Built-in Motion Detection	Off / On (3 Zones, Rectangular)	
Detection Mode (Thermal Core)	Normal Temperature Range	-20 °C ~ 120 °C
	High Temperature Range	0 °C ~ 500 °C
Measurement accuracy in lab condition	$\pm 2^{\circ}\text{C}$ or $\pm 2\%$ of temperature reading (Thermal camera with normal temperature detection mode has better accuracy than camera with high temp. mode)	
Application	Fire prevention, Preventive maintenance, Intrusion detection (human, animal) and other general analysis application	

Network	
Ethernet	RJ45 (10/100BASE-T)
Video Compression Format	H264 (MPEG-4 Part 10/AVC) : Main/Baseline/High Motion JPEG
Resolution	720x756, 640x480, 584x288, 720x480, 520x240
Max. Frame Rate	[H264] Max 30fps at all resolutions, [MJPEG] Max 15fps@640x480
Bitrate Control Method	CBR or VBR, Motion JPEG: VBR (Bitrate Range: 128K ~ 1M)
Streaming Capability	Multiple Streaming (Up to 3 profiles) Max. Users Number: 10 (total bitrate), Max. Profile Count: 4, Fixed Profile (Default): 2
IP	IPv4, IPv6
Protocol	TCP/IP, UDP/IP, RTP(UDP), RTP(TCP), RTCP, RTSP, NTP, HTTP, HTTPS, SSL, DHCP, PPPoE, FTP, ICMP, IGMP, ARP, DNS, DDNS, SMTP
Security	IP Address Filtering User access Log HTTPS(SSL) Login Authentication, Digest Login Authentication, 802.1X Authentication
Streaming Method	Unicast / Multicast
Max. User Access	Max. 10 users access
API	ONVIF Profile S Ver 2.4
Web Language (17)	English, French, German, Spanish, Italian, Chinese, Korean, Russian, Japanese, Swedish, Dutch, Portuguese, Turkish, Polish, Czech, Hungarian, Greek
Web Viewer	Supported OS: Windows XP / VISTA / 7 / 8 / 8.1 / 10 Supported Browser: Microsoft Internet Explorer (Ver. 9~11)

Thermal Camera Lens FOV and DORI Comparison

Measured max. range for **human** detection, recognition, and identification with 0.5m width x 1.8m height:

Resolution	Lens (mm)	FOV	Detection (m)	Recognition (m)	Identification (m)
640x480	4.8	97.15° x 80.73°	178.58	44.64	22.32
	8	68.43° x 54.04°	297.63	74.41	37.20
	12	48.77° x 37.56°	446.44	111.61	55.80
	20	30.43° x 23.06°	744.07	186.02	93.01
	35	17.67° x 13.30°	1302.11	325.53	162.76
	50	12.42° x 9.33°	1860.16	465.04	232.52
	75	8.30° x 6.23°	2790.24	697.56	348.78
384x288	4.8	68.43° x 54.04°	178.58	44.64	22.32
	8	44.39° x 34.03°	297.63	74.41	37.20
	12	30.43° x 23.06°	446.44	111.61	55.80
	20	18.54° x 13.96°	744.07	186.02	93.01
	35	10.66° x 8.00°	1302.11	325.53	162.76
	50	7.47° x 5.61°	1860.16	465.04	232.52
	75	4.98° x 3.74°	2790.24	697.56	348.78

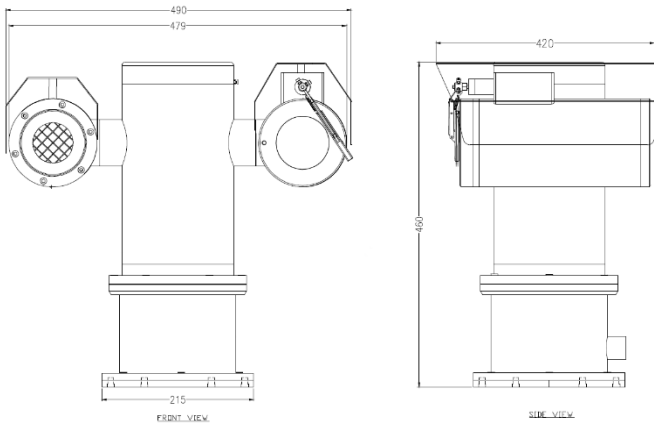
Measured max. range for **small vessel** detection, recognition, and identification with 4.5m width x 2.3m height:

Resolution	Lens (mm)	FOV	Detection (m)	Recognition (m)	Identification (m)
640x480	4.8	97.15° x 80.73°	605.58	151.40	75.70
	8	68.43° x 54.04°	1009.30	252.32	126.16
	12	48.77° x 37.56°	1513.95	378.49	189.24
	20	30.43° x 23.06°	2523.25	630.81	351.41
	35	17.67° x 13.30°	4415.68	1103.92	551.96
	50	12.42° x 9.33°	6308.12	1577.03	788.52
	75	8.30° x 6.23°	9462.18	2365.55	1182.77
384x288	4.8	68.43° x 54.04°	605.58	151.40	75.70
	8	44.39° x 34.03°	1009.30	252.32	126.16
	12	30.43° x 23.06°	1513.95	378.49	189.24
	20	18.54° x 13.96°	2523.25	630.81	351.41
	35	10.66° x 8.00°	4415.68	1103.92	551.96
	50	7.47° x 5.61°	6308.12	1577.03	788.52
	75	4.98° x 3.74°	9462.18	2365.55	1182.77

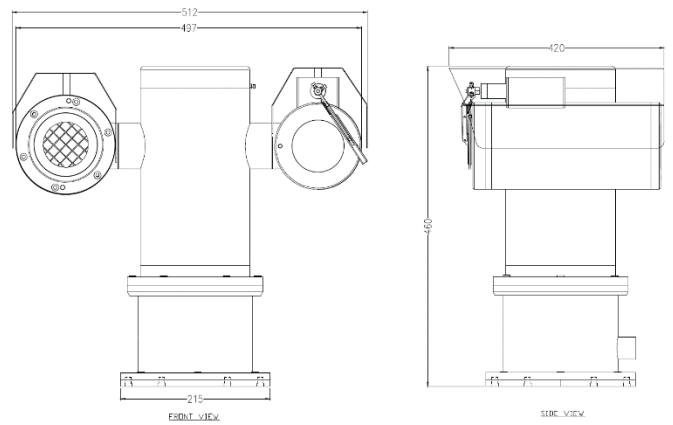
*Lens 35mm, 50mm and 75mm will need to use GL Housing Series only.

Lens Comparison Table

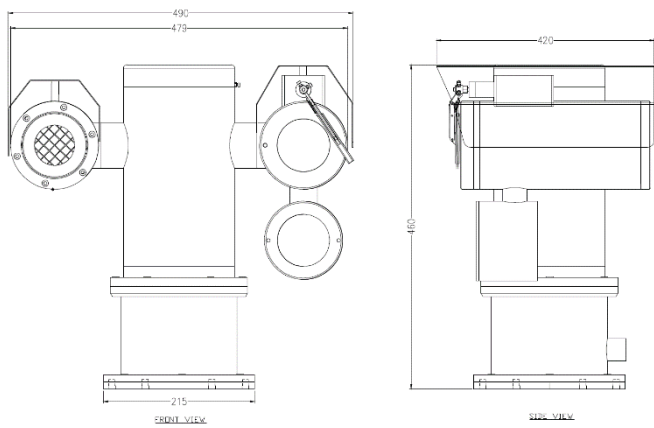
Outline Dimensions (mm)



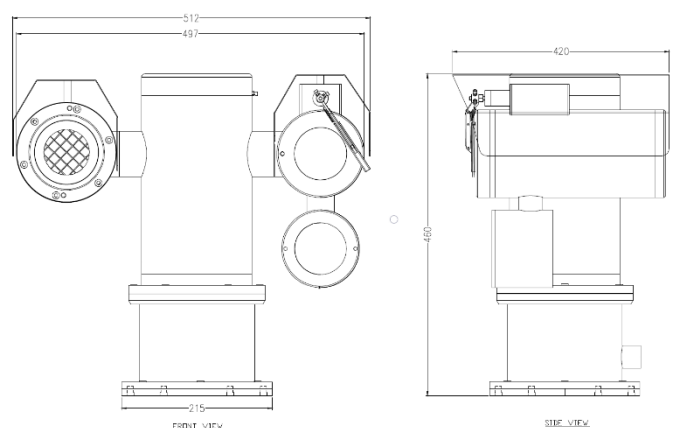
SS1PTZD-W-G Outline Dimensions



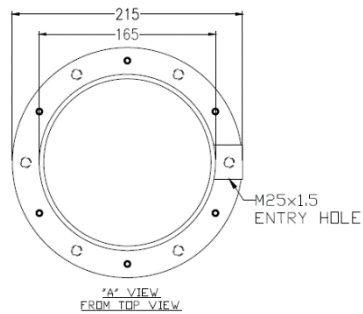
SS1PTZD-W-GL Outline Dimensions



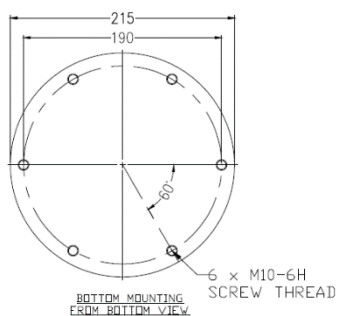
SS1PTZD-LEDW-G Outline Dimensions



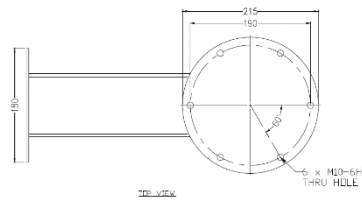
SS1PTZD-LEDW-GL Outline Dimensions



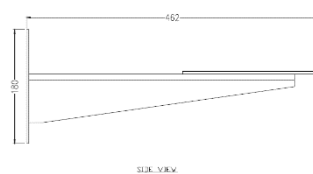
Base View from Top



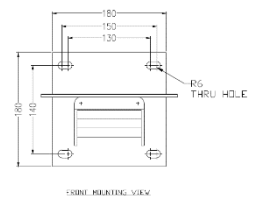
Base View from Bottom for Mounting



TOP VIEW



SIDE VIEW



SIDE MOUNTING VIEW

WB-SS1PTZ - Wall Bracket Outline Dimensions

Model & Ordering Code

SS1PTZD - X - X - BH - 0217 - X - X - X - X

Camera Station Options

W : Fitted with wiper
LEDW : With LED Illuminator and Wiper

Camera Station Options

G : With Germanium Window and Front Guard
GL : Large Diameter (143 mm) with Germanium Window and Front Guard

Thermal Camera Module Options

384 : 384x288 resolution
640 : 640x480 resolution

POE Options

Blank : No additional option
POE : POE++

Detection Mode Options

Blank : Normal Temperature
H : High Temperature

Thermal Camera Focal Length Options

M4.8 : 4.8 mm motorized lens
M8 : 8 mm motorized lens
M12 : 12 mm motorized lens
M20 : 20 mm motorized lens
M35 : 35 mm motorized lens
M50 : 50 mm motorized lens
M75 : 75 mm motorized lens

**Please refer lens comparison table above.*

Standard Accessories

SCH-SS1PTZD : Sunshield for Camera Housing

Optional Accessories

WB-SS1PTZ : Wall Bracket
SPT-SS1PTZD : Sunshield for Pan & Tilt Body