

AF1V3-5x8M Series

Aluminium Fixed Camera Housing

Integrated with 8MP [4K] 5x Optical Zoom Ventionex VX2-B8Y Analytics Camera Module



AF1V3



AF1V3-W



AF1V3-LED48



AF1V3-LED48-W

Main Features



Aluminum cast casing material



Options for Wiper Mechanism Available



IP 66



Vandal-proof IK10 ratings



Operating Temperature -20°C to 65°C



Advanced VCA - Detection and classification of specific target types (people or vehicle)



Starlight Ultra Low Light 0.003Lux



Options for LED illuminator available

Technical Data

General	
Ingress Protection	IP66
Operating Temperature	-20°C to 65°C
Mechanical	
Body Material	Cast Aluminum
Sight Glass Material	Window with hardened mineral clear glass
Overall Dimension (WxHxD)	<i>Please refer to dimension drawings</i>
Internal Usable Size for Camera Module	105 x 77.4 x 255 mm
Cable Entry	4 x M16
Weight	2.9 KG
Electrical	
Operating Voltage	24VAC
Power Consumption	Window Heater: 10W Fan: 2W Camera: 6 ~ 8W Wiper: 6 W
Thermostatically Controlled Heater	T°C on: <20°C, T°C off: >30°C
Thermostatically Controlled Fan	T°C on: >35°C, T°C off: <25°C
Optional	
Wiper Mechanism	Available for AF1V3-W model
LED Illumination	Available for AF1V3-LED model
LED Illumination	
LED12	12W Snap-in 850nm IR LED illuminator Vari angle: 10° ~ 40° IR LED distance: 50 ~ 140 meter
LED48	48W Snap-in 850nm IR LED illuminator Vari angle: 10° ~ 30° IR LED distance: 150 ~ 350 meter
Accessories	
Standard	Sunshield, Wall Bracket
Optional	Pole Mount Bracket, Corner Mount Bracket

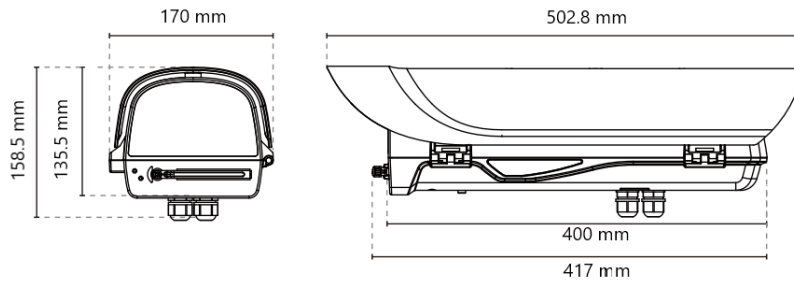
IP Camera/Lens

Camera	
Image Sensor	1/2.8" CMOS
Signal System	PAL/NTSC
Min. Illumination	Color: 0.003Lux@ (F1.6, ACG ON)
	B/W: 0 Lux with IR
Shutter Time	1s to 1/100000 s
Lens	Motorized 2.7 - 13.5mm, Angle of View: 102.7° ~ 29°
Lens Mount	φ14
Day& Night	Dual IR Cut Filter with Auto Switch
Wide Dynamic Range	120 dB
Image	
Max. Image Resolution	HxV: 3840×2160, 8MP [4K]
Mainstream	PAL: 20fps (3840×2160, 3072x2048), 25fps (2560×1440, 2304×1296, 1920×1080, 1280×720)
	NTSC: 20fps (3840×2160, 3072x2048), 30fps (2560×1440, 2304×1296, 1920×1080, 1280×720)
Substream	PAL: 25fps (704×576, 704×288, 640×480, 352×288)
	NTSC: 30fps (704×480, 704×240, 640×480, 352×240)
3rd Stream	PAL: 25fps (1280×720, 704×576, 704×288, 640×360, 352×288)
	NTSC: 30fps (1280×720, 704×480, 704×240, 640×360, 352×240)
Image Settings	Saturation, brightness, contrast, sharpness, adjustable by web browser
Image Enhancement	BLC/3D DNR/HLC/Corridor Format
Smart Defog	Yes
ROI	Support 8 fixed region of coding
Privacy Mask	Yes, 8 regions
Picture Overlay	Yes
OSD	16×16, 24×24,32×32, 48×48, 64x64, 96x96, adaptable size, Letters Such as Week, Date, Time, Total 5 Regions
Compression Standard	
Video Compression	S+265/H.265/H.264/M-JPEG
Video Bit Rate	32Kbps~16Mbps
Network	
Protocols	TCP/IP, ICMP, HTTP, HTTPS, DHCP, DNS, DDNS, MULTICAST, UPnP, FTP, IPV4, NTP, RTSP, SMTP, IGMP, QoS, PPPoE
Remote Connection	≤7
System Compatibility	ONVIF (Profile S/T), P2P
Interface	
On-board Storage	MicroSD Card Slot, up to 512GB
Advanced	
Advanced Video Analytics	<p>Tripwire, Double Tripwire, Perimeter, Running, Heatmap, Loitering, Object Abandoned, Missing Object, Parking, Crowd</p> <p>*Support detection and classification of specific target types (people or vehicle) to remove false alarm caused by animals, leaves etc.</p>

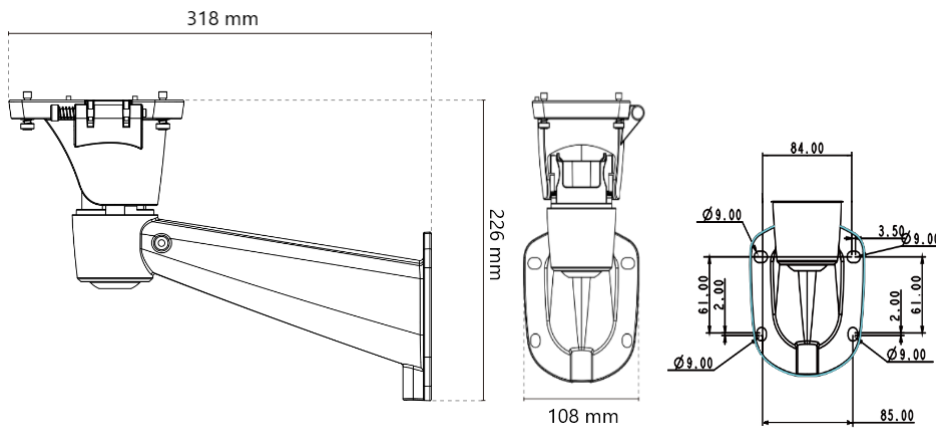
*Analog camera and other camera module options are available upon request.

*Thermal camera options are available for G model. Please contact us for the details

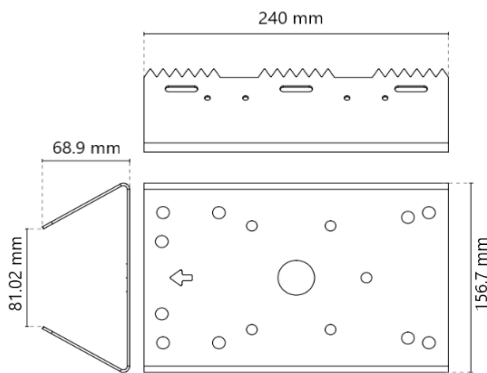
Outline Dimensions (mm)



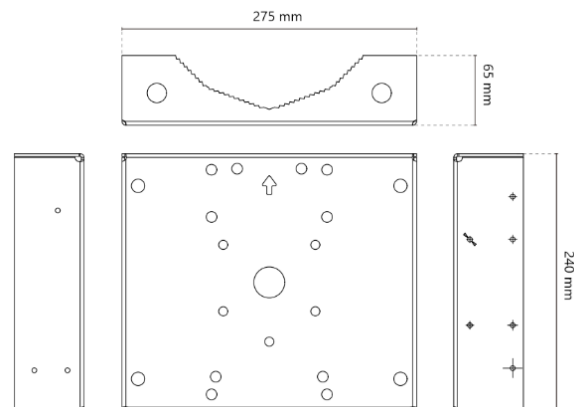
AF1V3-W Outline Dimensions



WB-AF1V3 Outline Dimensions

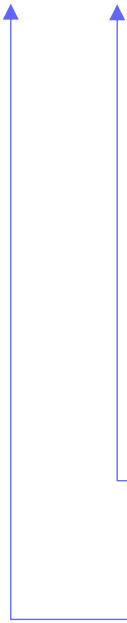


PM-AF1V3 Outline Dimensions



PME-AF1V3 Outline Dimensions

AF1V3 - X - X - 5x8M



Wiper Mechanism Options

- Blank : No additional option
- W : Fitted with wiper mechanism

LED Illumination Options

- Blank : No additional option
- LED12 : 12W LED Illuminator
- LED48 : 48W LED Illuminator

Standard Accessories

- SCH-AF1V3 : Sunshield for Camera Housing
- WB-AF1V3 : Wall Bracket

Optional Accessories

- PM-AF1V3 : Pole Mount Bracket
- PME-AF1V3 : Pole Mount Extend Bracket (for 100~230cm pole diameter)