

## AP8R

4K 22x Zoom IR PTZ Dome Camera



### Main Features

---



Sony 4K 1/1.8"  
Progressive CMOS



Motorized 6.4-  
138.5mm



22 x Optical Zoom



High Efficiency Video  
Coding



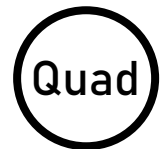
Weatherproof



Operating  
Temperature -40°C to  
60°C



IR Range: 100m



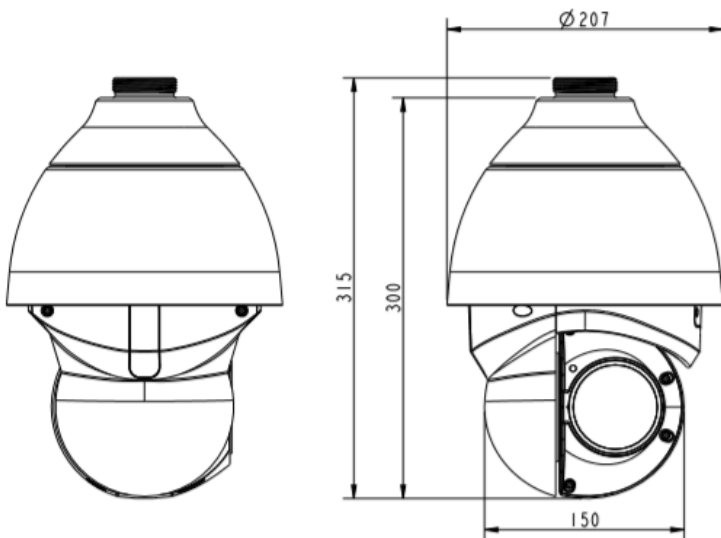
Support Quad  
Streams

## Specifications

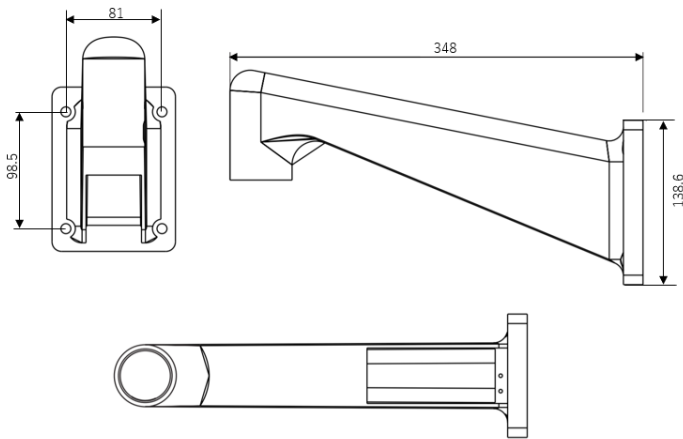
Camera	
Day/Night	Automatically removable IR-cut filter
Shutter Time	1~1/10000 s
HDR	Yes
EIS	
Noise Reduction	3D Motion Compensated Noise Reduction (MCTF)
Image Settings	Color, Brightness, Sharpness, Contrast White Balance, Exposure Control 2DNR, 3DNR, NR by Motion Masking, Text Overlay
Corridor Mode	90°, 180°, 270° rotation
Image	
Image Sensor	1/1.8" Progressive CMOS
Max. Image Resolution	3864x2180 (4K)
Pixel size	2.0 μm
Lens	f = 6.4 - 138.5 mm, 22 x zoom, F1.5
FOV	Horizontal: 62.6° (wide), 3.2° (tele)      Vertical: 36.7° (wide), 1.9° (tele)
Min. Illumination	Color: 0.04Lux
	B/W: 0.002Lux
Frame Rate (Maximum)	H265: 30fps (HDR 4K) + 30fps (d1), 30fps (HDR 6MP) + 30fps (1280x720)
	H264: 30fps (HDR 4K) + 30fps (1280x720), 30fps (HDR 6M) + 30fps (1280x720)
	MJPEG: 30fps (1920x1080)
Pan & Tilt	
Pan/Tilt Range	Pan: 0 ~ 360° endless      Tilt: -20 ~ 100°
Pan Speed	Manual Speed: 0.1 ~ 90° /s      Preset Speed: 300° /s
Tilt Speed	Manual Speed: 0.1 ~ 55°/s      Preset Speed: 300°/s
Number of Preset	256
PTZ Mode	8 sequence, 8 cruise, 4 auto pans
Compression Standard	
Video Compression	H.265/H.264/MJPEG
Video Streaming	Up to 4 individually configurable streams in H.265/H.264/MJPEG Configurable resolution/frame rate/bandwidth LBR/VBR/CBR in H.265/H.264
Audio Compression	G.711/G.726/AAC/LPCM
Audio Streaming	2 way
Network	
Security	User Authentication/HTTPS/IP Filter/IEEE 802.1x
Supported Protocols	ARP, PPPoE, IPv4/v6, ICMP, IGMP, QoS, TCP, UDP, DHCP, UPnP, SNMP, SMTP, RTP, RTSP, HTTP, HTTPS, FTP, NTP, DDNS
ONVIF	Profile S/G/Q/T conformant
Advanced	
Video Analytics	Motion Detection, Audio detection
Alarm Triggers	External Input, Analytics, Network Failure Detection, Periodical Event, Manual Trigger
Alarm Actions	External output Activation, Video and audio recording to edge storage File Upload: FTP, network share and email Notification: HTTP, FTP, Email

Interface	
Ethernet	1-ch RJ45 1Gbps Ethernet
Audio Input / Output	1-ch (Line in) / 1-ch (Line out)
Alarm Input / Output	4-ch / 2-ch
Power Terminal Block	DC12V, AC24V
On-board Storage	MicroSD Card Slot
General	
Operating Temperature	-40°C ~ 60°C with heater
Relative Humidity	5% ~ 95%
Storage Temperature	-20°C ~ 70°C
Operating Voltage	DC12V (3.67A), AC24V, Forced 4-pair UPoE
Power Consumption	Max 51W
IR Distance	100m
Ingress Protection	IP66
Storage	Support for microSD/microSDHC/microSDXC card Support for recording to NAS
Dimensions	Ø207x300 mm with Sunshield
Weight	3.8KG
Accessories (Optional)	
PMAPR	Pendant Mount Bracket
PAPR	Pole Mount Bracket
CAPR	Corner Mount Bracket

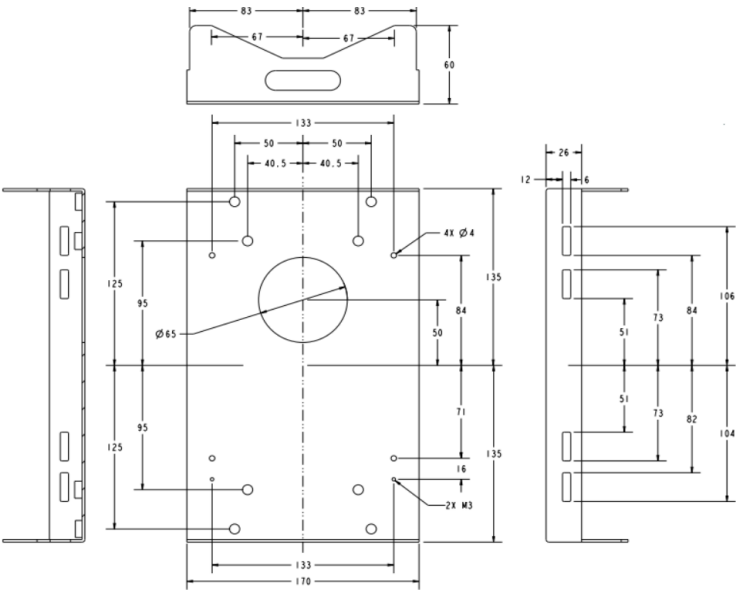
## Outline Dimensions (mm)



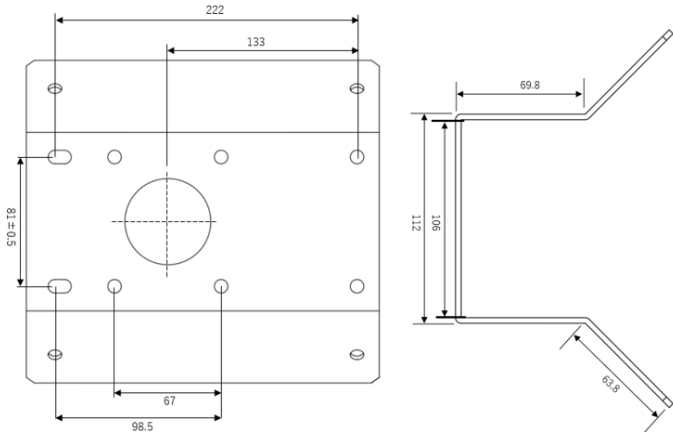
AP8R Outline Dimensions



PMAPR Outline Dimensions



PAPR Outline Dimensions



CAPR Outline Dimensions

