

## VA2C

2MP IR AHD Camera



### Main Features

---



Up To  
1920X1080@25fps



3.2mm focal length

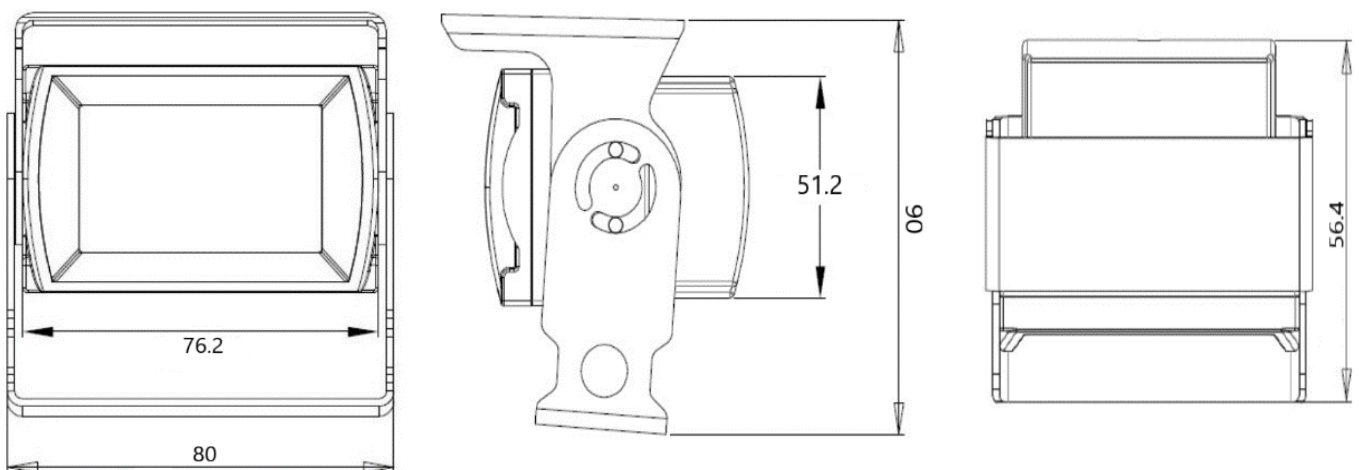


Smart IR

## Specifications

Camera	
Image Sensor	1/3" SC2232 2MP CMOS
Frame Rate	1920x1080@ 25fps
Min. Illumination	Color: 0.1Lux; 0 Lux with IR LED on
Shutter	Automatic shutter
Lens	3.2mm
Angle of View (HOV)	110°
Day & Night	Auto ICR
Noise Reduction	2D NR
Interface	
Video Output	4-pin aviation connector
Audio	Built-in microphone (optional)
General	
Operating Temperature	-10°C ~ +60°C
Relative Humidity	<90%
Power Supply	DC 12V ± 20%
Power Consumption	Without IR on: <1W With IR on: <3W
Transmission Distance	<100m
IR Distance	12m
White Light	N/A
Ingress Protection	N/A
Mount type	M12
Dimensions	90mm x 56.4mm x 80mm
Weight	273g

## Outline Dimensions



VA2C Outline Dimensions