

AD8R

4K Motorized Vandal-proof IR Dome Camera



Main Features



Sony 4K 1/1.8"
Progressive CMOS



Motorized 3.6 -
11mm



Vandal-proof IK10
ratings



High Efficiency Video
Coding



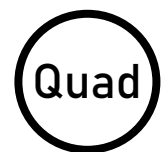
Weatherproof



Operating
Temperature -30°C to
60°C



IR Range: 40m



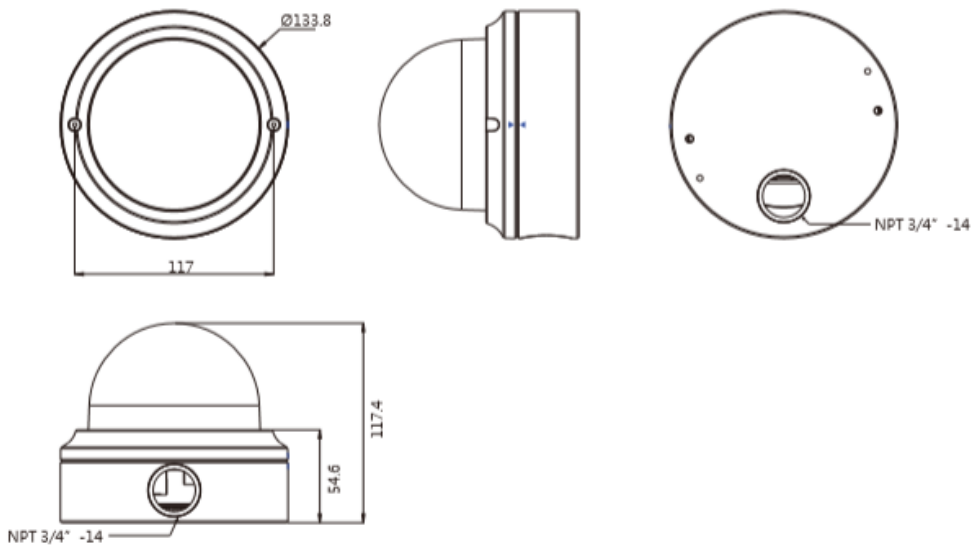
Support Quad
Streams

Specifications

Camera	
Day/Night	Automatically removable IR-cut filter
Shutter Time	1~1/10K s
HDR	Yes
Noise Reduction	3D Motion Compensated Noise Reduction (MCTF)
Image Settings	Color, Brightness, Sharpness, Contrast White Balance, Exposure Control 2DNR, 3DNR, NR by Motion Masking, Text Overlay
Corridor Mode	90°, 180°, 270° rotation
Image	
Image Sensor	1/1.8" Progressive CMOS
Max. Image Resolution	3864x2180 (4K)
Pixel size	2.0 μm
Lens	f =3.6 - to 11 mm, F1.5
FOV	Horizontal: 115° (wide), 47.5° (tele) Vertical: 61.2° (wide), 27° (tele)
Min. Illumination	Color: 0.04Lux
	B/W: 0.002Lux
Frame Rate (Maximum)	H265: 30fps (HDR 4K) + 30fps (d1), 30fps (HDR 6M) + 720p @30fps
	H264: 30fps (HDR 4K) + 30fps (1280x720), 30fps (HDR6M) + 30fps (1280x720)
	MJPEG: 30fps (1920x1080)
Compression Standard	
Video Compression	H.265/H.264/MJPEG
Video Streaming	Up to 4 individually configurable streams in H.265/H.264/MJPEG Configurable resolution/frame rate/bandwidth LBR/VBR/CBR in H.265/H.264
Audio Compression	G.711/G.726/AAC/LPCM
Audio Streaming	2 way
Network	
Security	User Authentication/HTTPS/IP Filter/IEEE 802.1x
Supported Protocols	ARP, PPPoE, IPv4/v6, ICMP, IGMP, QoS, TCP, UDP, DHCP, UPnP, SNMP, SMTP, RTP, RTSP, HTTP, HTTPS, FTP, NTP, DDNS
System Compatibility	ONVIF Profile S/G/Q/T conformant
Advanced	
Video Analytics	Motion detection, Tampering, Audio detection
Alarm Triggers	External Input, Analytics, Network Failure Detection, Periodical Event, Manual Trigger
Alarm Actions	External output Activation, Video and audio recording to edge storage, File Upload: FTP, network share and email Notification: HTTP, FTP, Email
Interface	
Ethernet	1-ch RJ45 1Gbps
Audio Input / Output	1-ch (Line in) / 1-ch (Line out)
Alarm Input / Output	1-ch / 1-ch
Power Terminal Block	DC12V, AC24V
On-board Storage	MicroSD Card Slot
Video Output	CVBS

General	
Operating Temperature	-30°C ~ 60°C without heater -55°C ~ 60°C with heater
Relative Humidity	10%~90%, No Condensation
Storage Condition	-20°C ~ 70°C
Operating Voltage & Power Consumption	PoE IEEE802.3af, class 0, max 12.30 watt DC 12V, max 13.20 watt AC 24V, max 11.99 watt, max 21.01 VA
IR Distance	40m
Impact Protection	IK10
Ingress Protection	IP66
Storage	Support for microSD/microSDHC/microSDXC card Support for recording to NAS
Dimensions	Ø133.8x117.4 mm
Weight	760g
Accessories (Optional)	
WBADR	Wall Mount Bracket

Outline Dimensions (mm)



AD8R Outline Dimensions