

SFW V2

Stainless Steel Water-Cooled Camera Housing



Main Features



Marine grade
AISI316L Stainless
Steel material



IP 66



Dual layer stainless
steel housing with
water inlet and outlet
for water cooling



Operating
Temperature 0°C to
250°C



Possible to integrate
with different type of
3rd party camera
module



Air inlet at front cover
for blowing
compressed air at
sight glass to prevent
stagnant of dusts

Technical Data

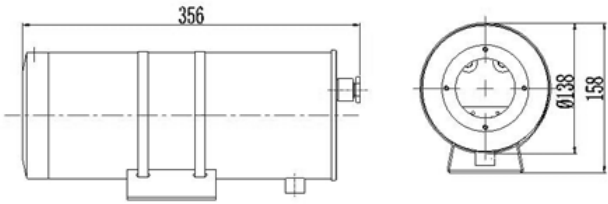
General	
Ingress Protection	IP66
Operating Temperature	0°C to 250°C
Mechanical	
Body Material	AISI316L Stainless Steel
Sight Glass Material	Window with hardened mineral clear tempered glass
Overall Dimension (WxHxL)	138 x 158 x 356 mm
Internal Usable Size for Camera Module	Φ 80 x 260 mm
Cable Entries	G3/4
Water Inlet / Outlet	G1/2
Air Inlet (Front Cover)	Supported
Weight	Approximate 5KG
Electrical	
Operating Voltage	AC110 to 240V
Power Consumption	15W
Accessories	
SJ-SFW	Swivel Joints
WB-SFW	Wall Bracket

IP Camera/Lens

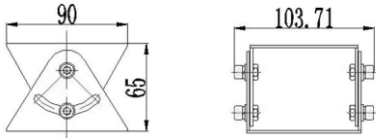
3MP, 33x Zoom, IP	
Sensor	1/2.8"
Focal Length	4.6 - 152.0 mm
Focus	F1.6
Horizontal Angle of View	3° - 52°
Effective Pixels (HxV)	2065 x 1553
Zoom	33x Optical Zoom, Up to 10x Digital Zoom
Day/Night	Automatically removable IR-cut filter
Illumination Requirement	Color: 0.04Lux, B/W: 0.002Lux
Supported Video Analytics Events	Motion Detection, Tampering

**Analog camera options are available. Please contact us for the details.*

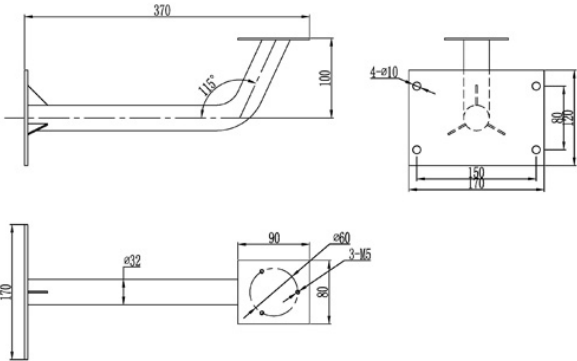
Outline Dimensions (mm)



SFW V2 Outline Dimensions



Swivel Joints Outline Dimensions



Wall Bracket Outline Dimensions