

AB8R

4K Motorized IR Bullet Camera



Main Features



Sony 4K 1/1.8"
Progressive CMOS



Motorized 3.6 -
11mm



IR Range: 40m



High Efficiency Video
Coding



Weatherproof



IP 66



Operating
Temperature -30°C to
60°C



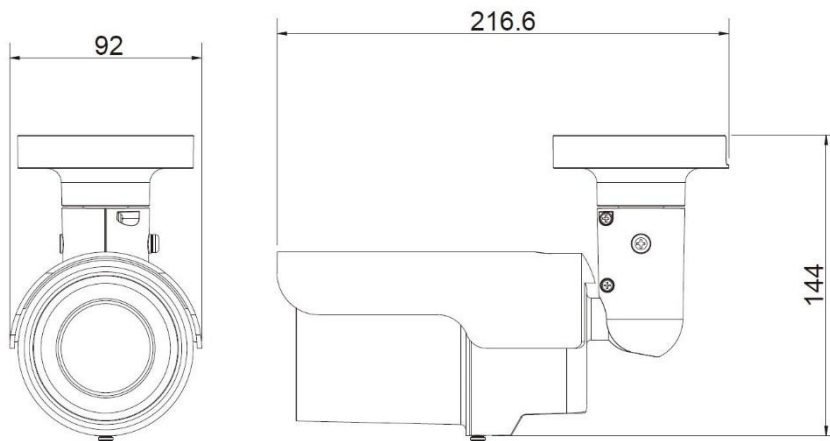
Support Quad
Streams

Specifications

Camera	
Day/Night	Automatically removable IR-cut filter
Shutter Time	1~1/10000 s
HDR	Yes
Image Settings	Color, Brightness, Sharpness, Contrast White Balance, Exposure Control 2DNR, 3DNR, NR by Motion Masking, Text Overlay
Corridor Mode	90°, 180°, 270° rotation
Image	
Image Sensor	1/1.8" Progressive CMOS
Max. Image Resolution	3864x2180 (4K)
Pixel size	2.0 μm
Lens	f = 3.6 - 11 mm, F1.5
FOV	Horizontal: 115° (wide), 47.5° (tele) Vertical: 61.2° (wide), 27.0° (tele)
Min. Illumination	Color: 0.04Lux
	B/W: 0.002Lux
Frame Rate (Maximum)	H265: 30fps (HDR 4K) + 30fps (d1), 30fps (HDR 6M) + 30fps (1280x720)
	H264: 30fps (HDR 4K) + 30fps (d1), 30fps (HDR 6M) + 30fps (1280x720)
	MJPEG: 30fps (1920x1080)
Compression Standard	
Video Compression	H.265/H.264/MJPEG
Video Streaming	Up to 4 individually configurable streams in H.265/H.264/MJPEG Configurable resolution/frame rate/bandwidth LBR/VBR/CBR in H.265/H.264
Audio Compression	G.711 / G.726 / AAC / LPCM
Audio Streaming	2 way
Network	
Security	User Authentication/HTTPS/IP Filter/IEEE 802.1x
Supported Protocols	ARP, PPPoE, IPv4/v6, ICMP, IGMP, QoS, TCP, UDP, DHCP, UPnP, SNMP, SMTP, RTP, RTSP, HTTP, HTTPS, FTP, NTP, DDNS
System Compatibility	ONVIF Profile S/G/Q/T conformant
Advanced	
Analytics	Motion Detection/Tampering/Audio detection
Alarm Triggers	External Input, Analytics, Network Failure Detection, Periodical Event, Manual Trigger
Alarm Actions	External output Activation, Video and audio recording to edge storage File Upload: FTP, network share and email Notification: HTTP, FTP, email
Interface	
Ethernet	1-ch RJ45 1Gbps
Audio Input / Output	1-ch (3.5mm Jack) / 1-ch (3.5mm Jack)
Alarm Input / Output	2-ch / 1-ch
Power Terminal Block	DC12V, AC24V
On-board Storage	MicroSD Card Slot
Video Output	CVBS

General	
Operating Temperature	-30°C ~ 60°C without heater -55°C ~ 60°C with heater
Relative Humidity	10%~90%
Operating Voltage	PoE IEEE802.3af, class 0, DC 12V (1.14A), AC 24V
Power Consumption	Max 13.68W
IR Distance	40m
Ingress Protection	IP66
Storage	Support for microSD/microSDHC/microSDXC card Support for recording to NAS
Dimensions	Ø 92x216.6 mm
Weight	780 g
Accessories (Optional)	
PMABR	Pole Mount Bracket
JBABR	Joint Box

Outline Dimensions (mm)



AB8R Outline Dimensions