

AP5Y-TR

H.265 5MP 30x Starlight Auto-tracking IR PTZ



Main Features



Starlight Ultra Low
Light 0.002lux



30x Optical Zoom



IR Range: 150m



High Efficiency Video
Coding



Weatherproof



Autotracking Early
Warning (AEW)



Operating
Temperature -30°C to
65°C



Advanced VCA -
Detection and
classification of
specific target types
(people or vehicle)

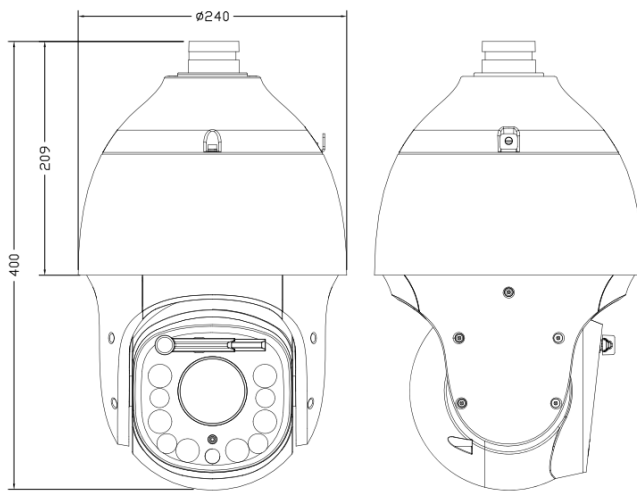
Specifications

Camera	
Image Sensor	1/2.8" CMOS
Signal System	PAL/NTSC
Min. Illumination	Color: 0.002Lux @ (F1.5, AGC ON)
	B/W: 0.001Lux, 0 Lux with IR
BLC/HLC	Yes
Smart Defog	
Digital Noise Reduction	3D DNR
WDR	140 dB
Shutter Time	1/1s ~ 1/100000s
Day& Night	Dual IR Cut Filter
Optical Zoom	30x
Digital Zoom	16x
Privacy Masking	Yes
OSD	Size:16×16, 32×32, 24×24, 48×48, 64×64,96×96 Letters, Week, Date, Time, Total 5 Regions
Image	
Max. Image Resolution	2592×1944
Mainstream	PAL: 25fps (2592×1944, 2560×1920, 2592×1520, 2560×1440, 2048×1536, 1920×1080, 1280×960, 1280×720)
	NTSC: 30fps (2592×1944, 2560×1920, 2592×1520, 2560×1440, 2048×1536, 1920×1080, 1280×960, 1280×720)
Substream	PAL: 25fps (704×576, 704×288, 640×360, 352×288)
	NTSC: 30fps (704×480, 704×240, 640×360, 352×240)
3rd Stream	PAL: 25fps (1920×1080, 1280×960, 1280×720, 640×480, 704×576, 352×288)
	NTSC: 30fps (1920×1080, 1280×960, 1280×720, 640×480, 704×480, 352×240)
System Compatibility	ONVIF (Profile S), SDK, P2P
Image Compression	S+265/H.265/H.264/MJPEG
ROI	7 Dynamic Areas for Both Main and Sub Stream, support auto-tracking ROI
Audio Compression	G711A/G711U/ADPCM/AAC
Protocols	TCP/IP, ICMP, HTTP, HTTPS, DHCP, DNS, DDNS, MULTICAST, UPnP, FTP, IPV4, NTP, RTSP, SMTP, IGMP, QoS, PPPoE
Remote Connection	7 Users Access at the Same Time
Lens	
Focal Length	4.7 - 141mm, 30 x zoom
Zoom Speed	Approx.5s
Horizontal Angle of View	69.5° (wide) ~ 2.7° (tele)
Minimum Working Distance	1 ~ 1.5m (Wide-Tele)
Aperture Range	F1.5 ~ F4.0
Infrared	
IR Range	Up to 150m
IR Irradiation Angle	Adjustable by Zoom
IR LEDs	8pcs
White LEDS	2pcs

Pan & Tilt	
Pan Range	360° Endless
Pan Speed	Manual Speed: 0.1° ~ 180°/s Preset Speed: 240°/s
Preset Accuracy	±0.4°
Tilt Range	-16° ~ 90° (Auto Flip)
Tilt Speed	Manual Speed: 0.1° ~ 120°/s Preset Speed: 180°/s
3D Position	Yes
Number of Preset	500
Scan	8
Cruise	16, up to 32 Presets per Cruise
Pattern	8, Each One with 600s Memory or 1000 Sequence
Power loss recovery	Yes
Guard Action	Preset/ Cruise/ Pattern/ Scan
PTZ Position Display	Yes
Freeze Frame	Yes
RS-485 Protocols	DOME_PELCO_D, DOME_PELCO_P, DOME_PLUS
Interface	
Ethernet	1-ch RJ45 10M / 100M
Audio Input / Output	1-ch / 1-ch
Alarm Input / Output	8-ch / 2-ch
On-board Storage	MicroSD Card Slot, up to 128GB
Reset Button	Yes
RS-485	Yes
BNC	Yes
Advanced	
Auto-tracking Early Warning (AEW)	Yes
Advanced Video Analytics	Tripwire, Double Tripwire, Perimeter, Running, Heatmap, Loitering, Object Abandoned, Missing Object, Parking, Crowd, Demographics, and On Duty Detection. *Support detection and classification of specific target types (people or vehicle) to remove false alarm caused by animals, leaves etc.
Smart-tracking	Yes
Alarm Trigger	Harsh Voice Alarm, Motion Detection, Mask Alarm, Port Alarm, Network Disable Alarm, IP Conflict, MAC Conflict Detection
General	
Language	English, Spanish, Korean, Italian, Turkish, Thai, Russian, Traditional Chinese, Simplified Chinese, Polish, French
Operating Temperature	-30°C ~ 65°C
Relative Humidity	0 ~ 95%
Operating Voltage	AC 24V ± 15%
Power Consumption	21W (IR OFF), 44W (IR ON)
Ingress Protection	IP66
Wiper	Yes
Dimensions	Φ222mm x 372mm
Weight	5.5KG

Accessories (Standard)	
WBAPY	Wall mount bracket
Accessories (Optional)	
PMAPY	Pendant mount bracket
JBADPY	PTZ Junction Box
CMAPY	Outer Corner bracket

Outline Dimensions (mm)



AP5Y-TR Outline Dimensions