

SS1LED Series

Stainless Steel Weatherproof Small Camera Housing



Main Features



Marine grade
AISI316L Stainless
Steel material



Operating
Temperature -40°C to
60°C



IP 66 / 68



Possible to integrate
with different type of
3rd party camera
module



Vandal-proof IK10
ratings

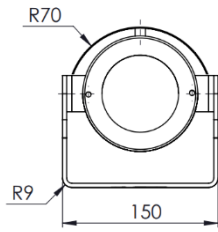
Technical Data

General	
Ingress Protection	IP 66 / 68
Operating Temperature	-40°C to 60°C
Relative Humidity	≤95%
IR Illumination	Up to 30 meters
Mechanical	
Body Material	AISI316L Stainless Steel
Sight Glass Material	Window with hardened mineral clear tempered glass
Overall Dimension (WxHxD)	<i>Please refer to overall dimension drawings below</i>
Internal Usable Size for Camera Module	Ø80 x 50mm
Cable Entry	1 x M25
Weight	Approximate 5KG
Electrical	
Operating Voltage	DC12V ± 25% / POE
Power Consumption	Max 6W (12V), Max 7W (PoE)
Accessories	
Standard	Sunshield
Optional	Wall Bracket

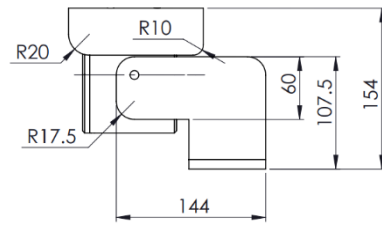
IP Camera/Lens

	8MP, IP	5MP, IP	2MP, IP
Sensor	1/2.8"		
Focal Length	2.8mm		
Focus	F1.6		
Horizontal Angle of View	96°	97.8°	107°
Effective Pixels (HxV)	3840 x 2160	2592x1944	1920 1080
Day/Night	Dual IR Cut Filter with Auto Switch		
Illumination Requirement	Color: 0.01Lux B/W: 0.002 Lux	Color: 0.002Lux B/W: 0.0001 Lux	Color: 0.001Lux B/W: 0.0002 Lux
Supported Video Analytics Events	Tripwire, Double Tripwire, Perimeter, Object Abandoned, Missing Object, Loitering, Parking, Crowd, Heatmap. *Support detection and classification of specific target types (people or vehicle) to remove false alarm caused by animals, leaves etc.		

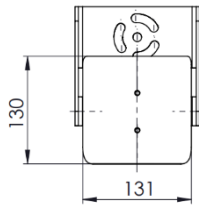
Outline Dimensions (mm)



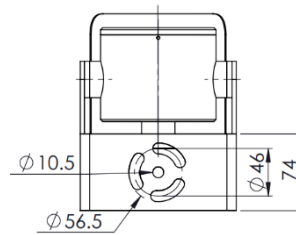
SS1LED Front Dimensions



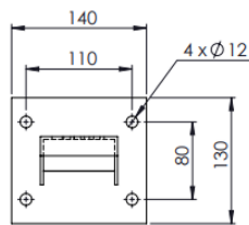
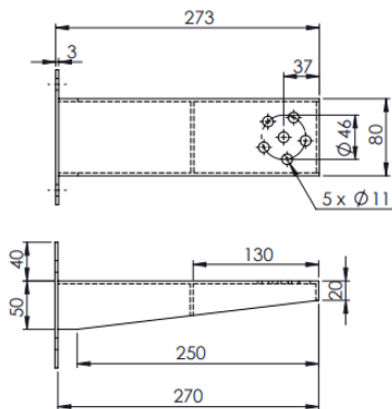
SS1LED Side Dimensions



SS1LED Top Dimensions



SS1LED Bottom Dimensions



WB-SS1LED Top Dimensions

SS1LED - X



Camera Module Options

8M	: 8MP, IP Camera
5M	: 5MP, IP Camera
2M	: 2MP, IP Camera

Standard Accessories

SCH-SS1LED : Sunshield for Small Camera Housing

Optional Accessories

WB-SS1LED : Wall Bracket for Small Camera Housing