

## AB2Y01

### 2MP Super Starlight Motorized IR Bullet Camera



#### Main Features

---



Super Starlight Ultra  
Low Light 0.0004Lux



Motorized 2.8 -  
12mm



IR Range: 50m



High Efficiency Video  
Coding



Weatherproof



IP 67



Operating  
Temperature 35°C to  
65°C



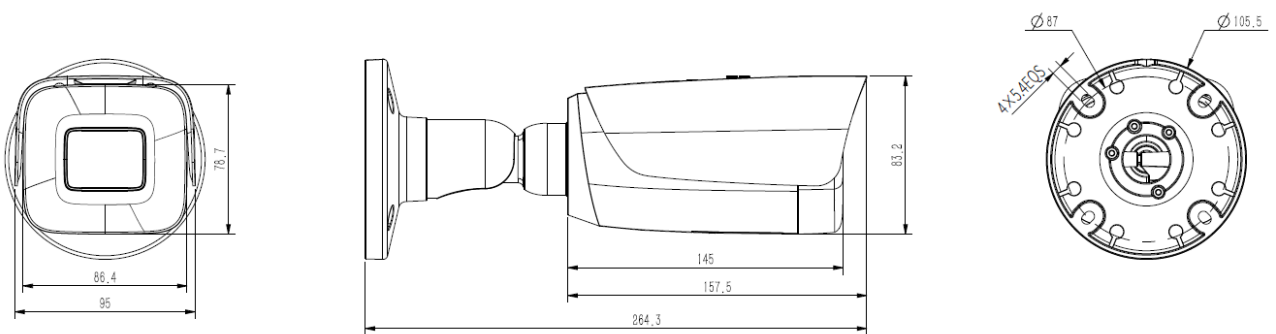
Advanced VCA -  
Detection and  
classification of  
specific target types  
(people or vehicle)

## Specifications

| Camera                |  |
|-----------------------|--|
| Image Sensor          | 1/2.8" CMOS  |
| Signal System         | PAL/NTSC   |
| Min. Illumination     | Color: 0.0004Lux@ (F1.2, ACG ON)   |
|                       | B/W: 0 Lux with IR   |
| Shutter Time          | 1 ~ 1/100000 s   |
| Lens                  | Motorized 2.8 - 12mm, Angle of View: 110.2° ~ 37.5°  |
| Lens Mount            | φ14  |
| Day& Night            | Dual IR Cut Filter with Auto Switch  |
| WDR                   | 120 dB   |
| Image                 |  |
| Max. Image Resolution | 1920x1080  |
| Mainstream            | PAL: 25fps (1920×1080, 1280×960, 1280×720, 704×576, 640×480)   |
|                       | NTSC: 30fps (1920×1080, 1280×960, 1280×720, 704×480, 640×480)  |
| Substream             | PAL: 25fps (704×576, 704×288, 640×360, 352×288)  |
|                       | NTSC: 30fps (704×480, 704×240, 640×360, 352×240)   |
| 3rd Stream            | 4CIF   |
| Image Settings        | Saturation, brightness, contrast, sharpness, adjustable by web browser   |
| Image Enhancement     | BLC/3D DNR/HLC/Corridor Format   |
| Smart Defog           | Yes  |
| ROI                   | 7 fixed regions  |
| Privacy Mask          | Yes  |
| Picture Overlay       | Yes  |
| OSD                   | 16×16, 24×24, 32×32, 48×48, 64×64, 96×96, adaptable size, Letters Such as Week, Date, Time, Total 5 Regions                              |
| Compression Standard  |  |
| Video Compression     | S+265/H.265/H.264/MJPEG  |
| Video Bit Rate        | 32Kbps ~ 16Mbps  |
| Audio Compression     | G.711A/G.711U/ADPCM_D/AAC_LC   |
| Audio Bit Rate        | 8K ~ 48Kbps  |
| Network               |  |
| ANR                   | Yes, auto store video in SD card when NVR disconnected, and upload video to NVR when resumed connection (Only Support Ventionex ANR NVR) |
| Protocols             | TCP/IP, ICMP, HTTP, HTTPS, DHCP, DNS, DDNS, MULTICAST, UPnP, FTP, IPV4, NTP, RTSP, SMTP, IGMP, QoS, IPV6, Multicast                      |
| Remote Connection     | ≤7   |
| System Compatibility  | ONVIF (Profile S/T), P2P   |
| Infrared              |  |
| IR Range              | Up to 50m  |
| IR LEDs               | 4pcs   |
| Interface             |  |
| Ethernet              | 1-ch RJ45 10M / 100M   |
| Audio Input / Output  | 1-ch / 1-ch  |
| Alarm Input / Output  | 2-ch / 1-ch  |
| On-board Storage      | MicroSD Card Slot, up to 128GB   |
| Reset Button          | Yes  |

| Advanced                 |  |
|--------------------------|--|
| Advanced Video Analytics | Tripwire, Double Tripwire, Perimeter, Running, Heatmap, Loitering, Object Abandoned, Missing Object, Parking, Crowd, Demographics, and On Duty Detection.<br>*Support detection and classification of specific target types (people or vehicle) to remove false alarm caused by animals, leaves etc. |
| Alarm Trigger            | Event Input, Event Output, Motion Detection, Mask Alarm, Disk Full, Disk R/W Error, IP Address Conflict, MAC Address Conflict, FTP Server Exception  |
| General                  |  |
| Language                 | English, Russian, Spanish, Korean, Italian, Turkish, Simple Chinese, Traditional Chinese, Thai, French, Polish, Dutch, Hebraism, Farsi, Arabic   |
| Operating Temperature    | -35°C ~ 65°C   |
| Relative Humidity        | 0~95%  |
| Operating Voltage        | DC 12 V ± 20%, PoE   |
| Power Consumption        | Max 9W (12V), Max 10W (PoE)  |
| Ingress Protection       | IP67   |
| Dimensions               | 264.3× Φ105.5 mm   |
| Weight                   | 1.5 KG   |
| Accessories (Optional)   |  |
| JBABY                    | Junction Box   |
| JBABYV2                  | Junction Box Version 2   |
| PMADPY                   | Pole Mount Bracket   |
| CMAPY                    | Outer Corner Bracket   |

## Outline Dimensions (mm)



AB2Y01 Outline Dimensions