

AP2 V2 Series

Outdoor Type Intelligence PTZ Camera



AP2 V2



AP2 V2 - IR

Main Features



Aluminum die-cast casing material



Built-in wiper with telemetry receiver



IP 66 / IP 67



Vandal-proof IK10 ratings



Weatherproof



360° continuously Pan



Operating Temperature -35°C to 55°C



2-alarm input, 2-alarm output (selection)

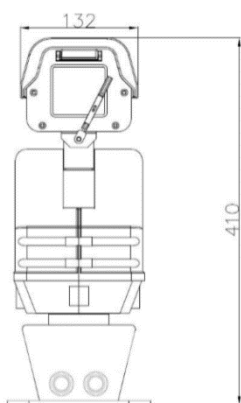
Technical Data

	AP2 V2	AP2 V2 - IR
General		
Ingress Protection	IP66 / 67	
Operating Temperature	-35°C to 55°C	
Relative Humidity	90%	
Mechanical		
Material	Die-cast aluminum material	
Built-in Wiper Mechanism	Yes	
Overall Dimension (WxHxD)	132×410×345mm	360×410×345mm
Weight (without camera and lens)	9kg	9kg
Pan Speed	0.1° ~ 40°/s	
Tilt Speed	0.1° ~ 20°/s	
Preset Pan Speed	100°/s	
Preset Tilt Speed	30°/s	
Pan range	Pan range 360° continuously	
Tilt range	Tilt range -70° ~ +33°	
Electrical		
Operating Voltage	AC24V 50/60Hz	
Power consumption	60VA	
Built-in surge/lightning protector	Yes	
Telemetry Receiver		
Connection	RS485 or RS422 connection	
Protocol	Pelco D or Pelco P (Please specify. Other protocols upon request)	
Preset	128 (max)	
6 programmable pattern tracks	Yes	
Pan angle limit setting	Yes	
OSD menu function	Yes	
Alarm I/O	2-alarm input, 2-alarm output (selection)	
IR Illuminator		
Illuminating Distance	-	100m (max)
Standard Fitted		
Sunshield	Yes (can be excluded upon request)	
Thermostatically Controlled Heater	Yes (can be excluded upon request)	
Optional Accessories		
Wall Mount Bracket	WBAP2V2	

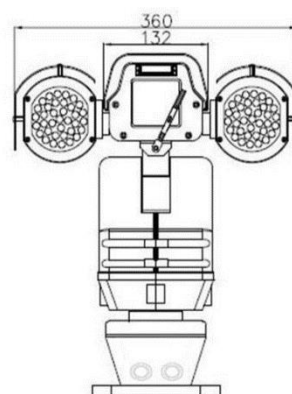
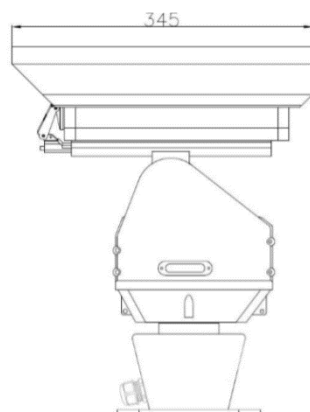
IP Camera/Lens

Camera	
Image sensor	1/2.8" progressive CMOS
Effective pixels	HxV = 2065x1553(3M)
Pixel size	2.5 μ m
Illumination requirement	Color: 0.04Lux Black & White: 0.002Lux
Lens	33x Zoom, f =4.6 mm (wide) to 152.0 mm (tele), F1.6
Horizontal angle of view	52°(wide) to 3° (tele)
Day/Night	Automatically removable IR-cut filter
Focusing system	Auto
Shutter time	1~1/10K s
Image settings	Color, Brightness, Sharpness, Contrast, White Balance, Exposure Control
Noise reduction	2DNR, 3DNR, NR by motion
Electronic image stabilization	Yes
Network	
Video compression	H.265/H.264/MJPEG
Audio compression	G.711/G.726/AAC/LPCM
Protocols	Pv4/IPv6, HTTP,HTTPS,TCP,UPnP,ICMP,IGMP,SNMP,RTSP,RTP,SMTP, NTP,DHCP,PPPoE,DDNS,FTP,QoS,ARP,UDP
ONVIF	Supported
Interface	
Network	10/100Mbps, RJ-45 connector
Communication	RS-485
Audio input	3.5mm connector
Audio output	3.5mm connector
Alarm input/output	Terminal block

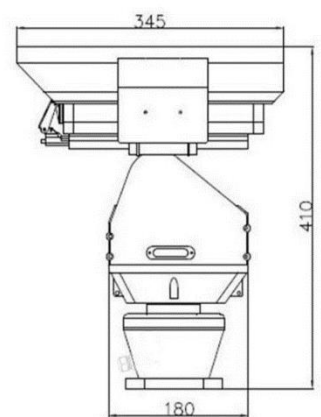
Outline Dimensions (mm)



AP2 V2 Outline Dimensions

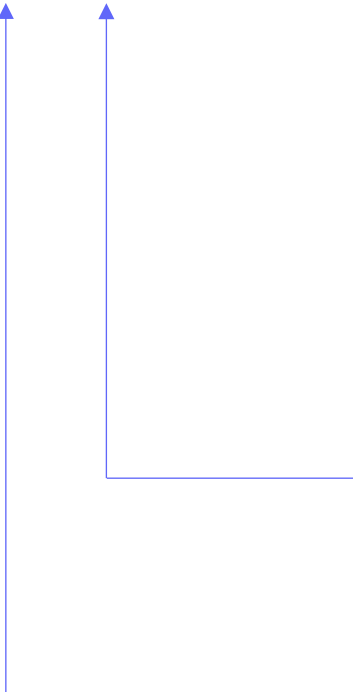


AP2 V2 - IR Outline Dimensions



Model & Ordering Code

AP2 V2 - X - X



Camera Module Options
33x3M : 3MP, 33x Zoom, IP

IR Options
Blank : No additional option
IR : Integrated IR Illuminator