

AD5Y

5MP Starlight Motorized Vandal-proof IR Dome Camera



Main Features



Starlight Ultra Low
Light 0.002lux



Motorized 2.8 -
12mm



Built in Microphone



High Efficiency Video
Coding



Weatherproof



Vandal-proof IK10
ratings



IR Range: 50m



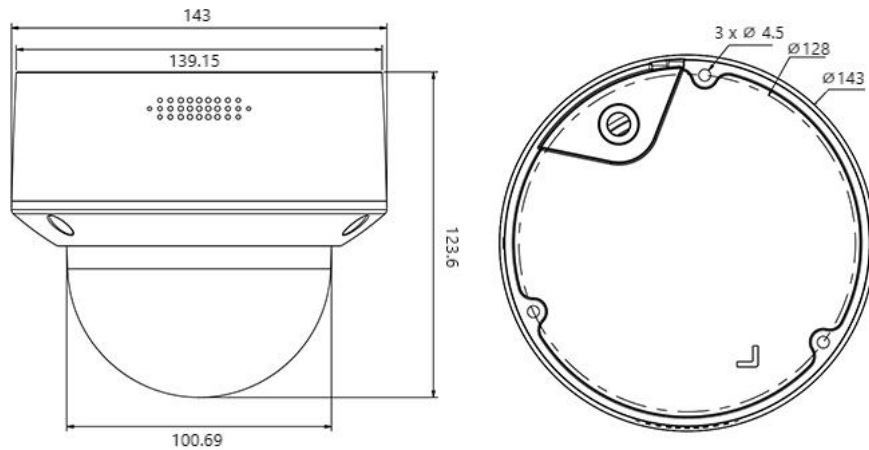
Advanced VCA -
Detection and
classification of
specific target types
(people or vehicle)

Specifications

Camera	
Image Sensor	1/2.8" CMOS
Signal System	PAL/NTSC
Min. Illumination	Color: 0.002Lux @ (F1.6, ACG ON),
	B/W: 0 Lux with IR
Shutter Time	1s to 1/100000s
Lens	Motorized 2.8 - 12mm, Angle of View: 100.4° ~ 26.8°
Lens Mount	φ14
Day& Night	Dual IR Cut Filter with Auto Switch
WDR	120 dB
Image	
Max. Image Resolution	2592x1944
Mainstream	PAL: 20fps (2592×1944), 25fps (2560×1920, 2592×1520, 2560×1440, 2048×1036, 1920×1080, 1280×960, 1280×720)
	NTSC: 20fps (2592×1944), 25fps (2560×1920), 30fps (2592×1520, 2560×1440, 2048×1036, 1920×1080, 1280×960, 1280×720)
Substream	PAL: 25fps (704×576, 704×288, 640×360, 352×288)
	NTSC: 30fps (704×480, 704×240, 640×360, 352×240)
3rd Stream	4CIF
Image Settings	Brightness, saturation, contrast, sharpness adjustable by web browser
Image Enhancement	BLC/3D DNR/HLC/Corridor Format
Smart Defog	Yes
ROI	Support 7 fixed region of coding
Privacy Mask	Yes
Picture Overlay	Yes
OSD	16×16, 24×24, 32×32, 48×48, 64×64, 96×96, adaptable size, Letters Such as Week, Date, Time, Total 5 Regions
Compression Standard	
Video Compression	S+265/H.265/H.264/MJPEG
Video Bit Rate	32Kbps ~16Mbps
Audio Compression	G.711A/G.711U/ADPCM_D/AAC_LC
Audio Bit Rate	8K ~ 48Kbps
Network	
ANR	Yes, auto store video in SD card when NVR disconnected, and upload video to NVR when resumed connection (Only Support Ventionex ANR NVR)
Protocols	TCP/IP, ICMP, HTTP, HTTPS, DHCP, DNS, DDNS, MULTICAST, UPnP, FTP, IPV4, NTP, RTSP, SMTP, IGMP, QoS, PPPoE
Remote Connection	≤7
System Compatibility	ONVIF (Profile S/T), P2P
Infrared	
IR Range	Up to 50m
IR LEDs	18pcs
Interface	
Ethernet	1-ch RJ45 10M / 100M
Audio Input / Output	1-ch, Built in Microphone / 1-ch
Alarm Input / Output	2-ch / 1-ch
On-board Storage	MicroSD Card Slot, up to 128GB
Reset Button	Yes

Interface	
Advanced Video Analytics	Tripwire, Double Tripwire, Perimeter, Running, Heatmap, Loitering, Object Abandoned, Missing Object, Parking, Crowd, Demographics, and On Duty Detection. *Support detection and classification of specific target types (people or vehicle) to remove false alarm caused by animals, leaves etc
Alarm Trigger	Event Input/ Event Output/ Motion Detection/ Mask Alarm/ Disk Full/ Disk R/W Error/ IP Address Conflict/ MAC Address Conflict/ FTP Sever Exception
General	
Language	English, Simplified Chinese, Traditional Chinese, Spanish, Italian, Korean, Turkish, Russian, Thai, Polish, Dutch, Hebraism, Farsi, Arabic, French
Operating Temperature	-35°C ~ 65°C
Relative Humidity	0 ~ 95%
Operating Voltage	DC 12V ± 20%, POE
Power Consumption	Max. 7.5W (12V) Max: 9W (POE)
Impact Protection	IK10
Ingress Protection	IP66
Dimensions	124mm x Ø143mm
Weight	0.95 KG
Accessories (Optional)	
WBADY1	(Plastic) Wall mount for motorized dome
JBADY	Junction box for motorized Dome

Outline Dimensions (mm)



AD5Y Outline Dimensions